

## Panel Dimensions

### Q: What are the precise panel dimensions for each column?

A: The below panel cutouts are for a standard 1/8" reveal and 4" toe kick.

■ 18" – 30" Columns

	18"	24"	30"
HEIGHT	79 7/8	79 7/8	79 7/8
WIDTH	17 3/4	23 3/4	29 3/4

■ 36" Two Door Bottom Mount Refrigerators

	DOOR	DRAWER
HEIGHT	51 11/32	28 13/32
WIDTH	35 3/4	35 3/4

■ 36" Three Door Bottom Mount Refrigerators

	DOOR 1	DOOR 2	DRAWER
HEIGHT	51 11/32	51 11/32	28 13/32
WIDTH	17 3/4	17 3/4	35 3/4

## Accessories

### Q: Is a specific kit required for installing multiple columns in a side-by-side configuration?\* If so, which kit is applicable?

A: Yes, there is a specific kit to use depending on the side-by-side configurations.\*\* Note: One kit only between any two columns.

BSEALKIT10: For side-by-side configurations where any two columns are physically connecting. The 3-Door French Door refrigerator is not recommended for any side-by-side configuration due to necessity of the use of the finger protection device. Please view U&C for proper installation configurations.

XHEATKIT10: For installing any two columns that are not physically connected and are less than 6" apart from one another. This kit is used to prevent condensation between the columns.

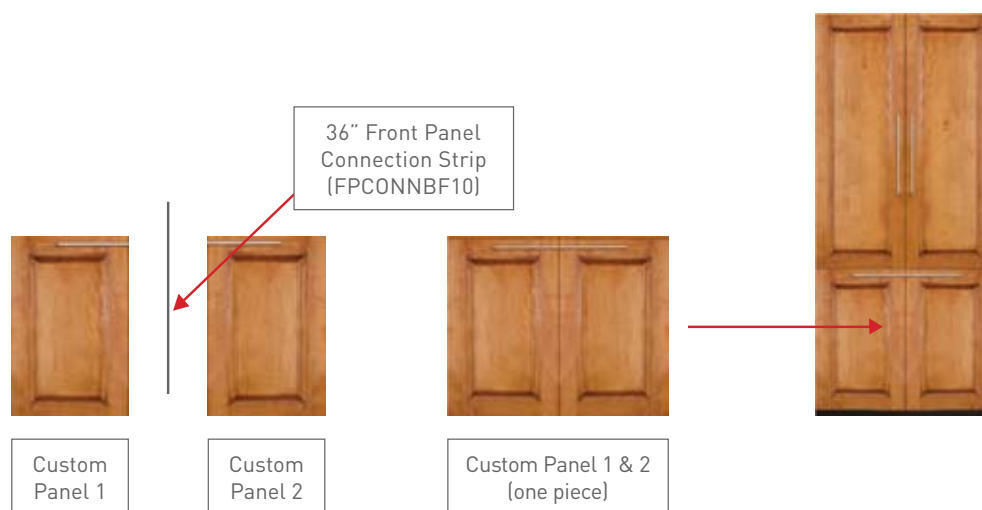
\* Please see page 12 for installation options.

\*\*If the side-by-side configuration is installed more than 6" apart, a kit is not needed.

## Accessories (cont'd)

### Q: When do you need to use the Front Panel Connection Strip (FPCONNBF10 / FPCONNTS10)?

**A:** The Front Panel Connection Strip is a metal strip which is used when any custom panels need to be connected on the column/bottom mount door. Shown in the illustration below is the FPCONNBF10 which is used to connect the panels on a bottom mount unit. To connect the panels on any column units, the FPCONNTS10 must be used.



### Q: When do you need to use the Extension Protection Kit (FINGERXL10)?

**A:** Each unit is shipped with a finger guard strip for the standard 80" height and is required for installation. If the custom panel on the unit exceeds the standard 80" height, the optional Extension Protection Kit is highly recommended. This kit will provide additional safety by closing the extra gap above or below the hinge.

### Q: The Electronic Temperature Control Board lists "Super Function." What is "Super Function?"

**A:** Super cool/freeze (applicable to all Freedom Collection models) quickly returns the refrigeration/freezer section to the proper cooling/freezing environment after warm or hot foods have been added.

### Q: What is a Freedom Pro Handle?

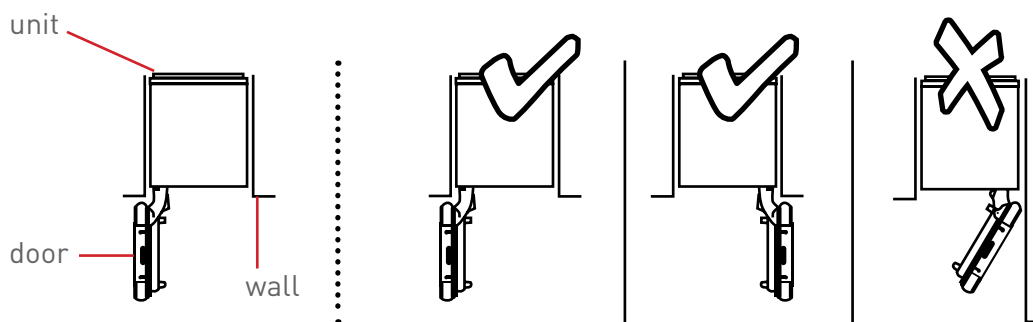
**A:** The Freedom Pro Handle is specifically designed for the Freedom Collection. Although similar to the Pro Handle, this handle has a sleeker appearance due to its' smaller end caps. It also has an angled design to prevent the handles from making contact with adjacent doors when open.

## Installation Options

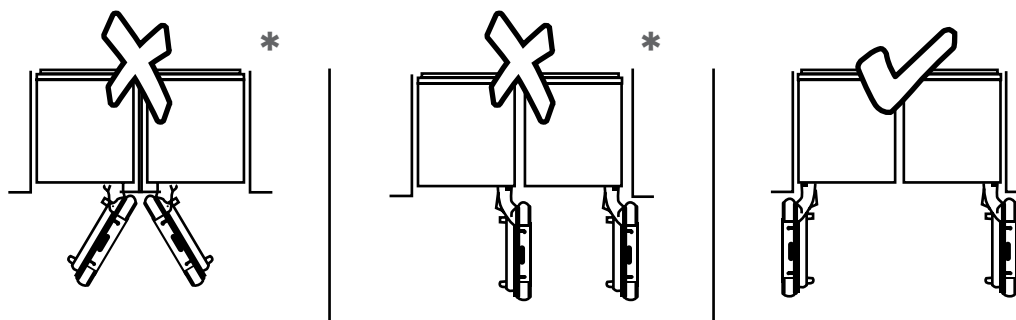
### Q: What are my installation options?

**A:** There are many different installation options. These are limited only by the design of the kitchen and the function of the finger guard. Please note, for all installations the cabinet or space the unit is being placed in needs a stable header (support) to attach the column/bottom mount units with the top mounting brackets. Please refer to specific installation instructions for more information.

### Individual Unit



### Side-by-Side



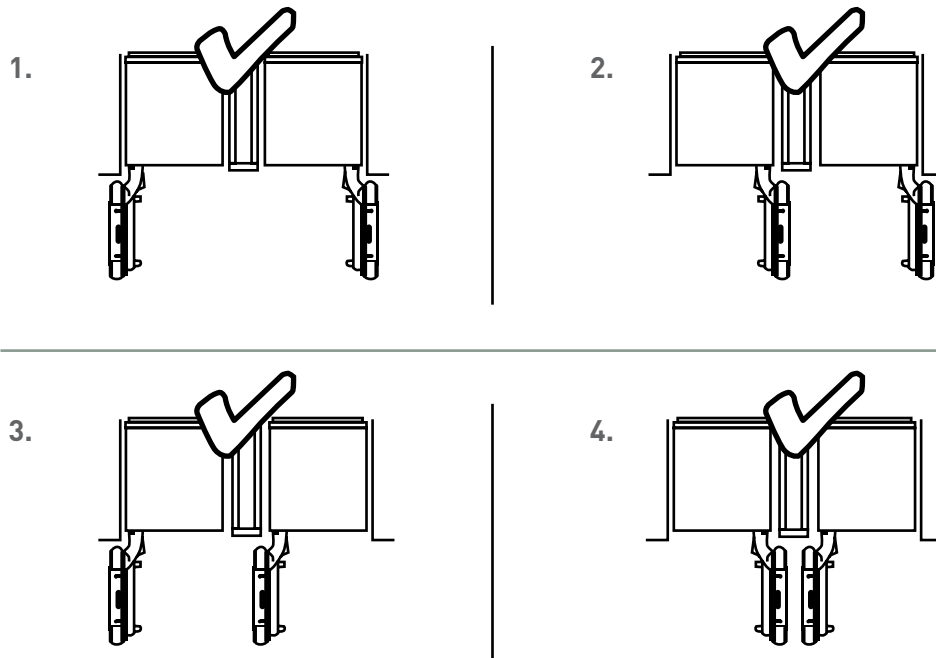
\* Partition Required!

### Note:

- When two appliances are installed Side-by-Side, and are physically touching each other, the **BSEALKIT10** must be used.

## Installation Options (cont'd)

### Individual Units with Partition



#### Note:

- When dimensioning the partition for model 4, note the thickness of the furniture fronts to prevent damage if the doors are opened at the same time.
- Use the **XHEATKIT10** if the gap between the appliances is less than 6" (160mm).
- Minimum thickness of the partition is 5/8" (16mm).

### At the end of the Kitchen Units

If one side of the appliance is visible, a side panel must be used. The side panel must be connected firmly to the wall, the floor and overhead furniture/fixtures before the appliance is placed in the cavity.

The dimensions of the side panel are taken from the opposite cavity wall. During installation, ensure that the cavity is square and the exact size.

**Installation**

**Q: What is an Optional Stainless Steel Toekick?**

**A:** The Optional Stainless Steel Toekick replaces the white ventilation grill at the bottom of the Freedom Columns. In most installations this white ventilation grill will not be visible when the door is closed as most designers and consumers will likely elect to place a cabinet toekick at the base of the Freedom Column (e.g., see photo to right).

Nonetheless, Thermador offers a stainless steel version of this white ventilation grill for those consumers that would prefer a stainless steel appearance, perhaps because they are doing a stainless steel Freedom solution and would prefer to see stainless at the base when the door is opened or because they have elected not to install a cabinet toekick.



Cabinet Toekick

**Q: Why is the Freedom unit shipped with two toekicks?**

**A:** Each unit is shipped with two (white) toekicks, one for each hinge option. Only one toekick is needed for installation depending on the location of the hinge. Consumers will have an additional toekick that will not be used.

**Q: What are the weights and capacities of the units?**

**A:** Capacities:

18" Freezer	24" Freezer	30" Freezer	24" Fresh Food	30" Fresh Food	36" Bottom Mount
8.5 Cubic Ft.	12.2 Cubic Ft.	15.9 Cubic Ft.	13.1 Cubic Ft.	17 Cubic Ft.	Refrigerator/Freezer 14.3 Cubic Ft./5.3 Cubic Ft.

Weights:

- 24" Fresh Food Column – 310lbs
- 30" Fresh Food Column – 350lbs
- 18" Freezer Column – 255lbs
- 24" Freezer Column – 300lbs
- 30" Freezer Column – 335lbs
- 36" Bottom Mount (2 & 3 doors) – 430lbs

**Please note: This does not include the weight of the door panels or handles.**

## Installation (cont'd)

**Q: What are additional design details to keep in mind to achieve a true integrated look?**

**A:**

**1) Interior Cabinetry/Space**

- Be sure all visible cabinetry in the interior space, where the unit is being installed, is finished to a depth of at least 6”.

**2) Custom Panel Door**

- Continue the finish on the interior of the custom panel doors. All visible space surrounding the unit on the door should be finished.
- Trim the custom panel (must be at least 2” above the floor) to match the cabinetry or kitchen design.



**Q: How do you calculate the “niche” of a Freedom unit?**

**A:       Width of unit x 84” (height) x 24 (plus any additional depth depending on the custom panel)**

Please note, it is not the same measurements as the cutout for Thermador Classic Refrigeration units as they do not offer custom panel units.

**Q: What additional information do the consumers need to know before installing their Freedom unit?**

**A:**

- 1) The electrical outlet is located on the bottom in the back of the unit. Most built-in refrigeration units have the electrical outlet on the top.\*
- 2) All Freedom units come with white plastic clips to align and level the units in place. These should not be removed until the panels are accurately lined up.\*
- 3) For Bottom Mount units, the installer must remove the Styrofoam padding in the rear of the top basket on the bottom drawer to insure the door closes properly.\*

\* Please refer to the specific installation instructions for additional information.

## Installation (cont'd)

**Q: How much weight can the door hinges accommodate?**

**A:** The door hinges can accommodate up to 220lbs, inclusive of the doors.

**Q: What type of water filters are available?**

**A:** There are two types of water filters available:

(REPLFLTR10) Replacement Water Filter Cartridge: A replacement cartridge for the water filter in any Freezer/Bottom Mount refrigerator.

(SCRNFLTR10) Substitute Water Filter Cartridge-Screen filter: To be used when the consumer does not want to use the Freedom Collection's filtration system. This screen filter represents a placeholder in order for the unit to function properly.



Suggested Column Configurations		Fresh Food Column		Freezer Column		
		24"	30"	18"	24"	30"
42" Refrigerator	Option 1	X		X		
48" Refrigerator	Option 1		X	X		
	Option 2	X			X	

( X represents one column )