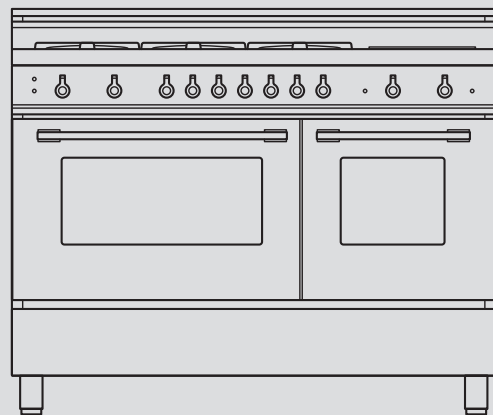
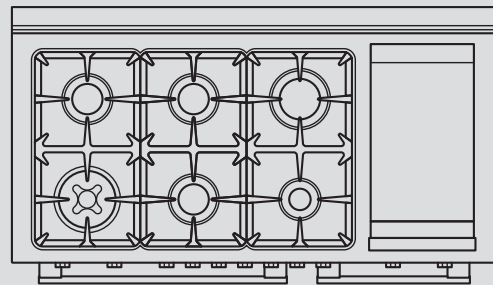


BERTAZZONI
PROFESSIONAL SERIES
 SIX-BURNER
 FREE-STANDING GAS RANGE 48"
 DOUBLE OVEN
 ELECTRIC GRIDDLE

Range 48"	
X48 6G GGV X ¹⁾	
6 burners	
Gas oven	•
Gas grill	• not with auxiliary oven
Safety device, one-hand ignition	•
Convection	• not with auxiliary oven
Storage compartment	•
Dimensions	
Width	48"
Depth side panel	24"
Total depth	25 1/8"
Height	35 1/2" ÷ 37 1/4"
Main oven	23 1/2" x 16 1/2" x 13" = 2.90 ft ³
Auxiliary oven	14 1/2" x 16 1/2" x 13" = 1.80 ft ³
Burner power	
Dual wok	12000 + 3000 Btu/h
Rapid	11000 Btu/h
Semi-rapid	6500 Btu/h
Auxiliary	3400 Btu/h
Simmer rate	750 Btu/h
Electric griddle	1100 W

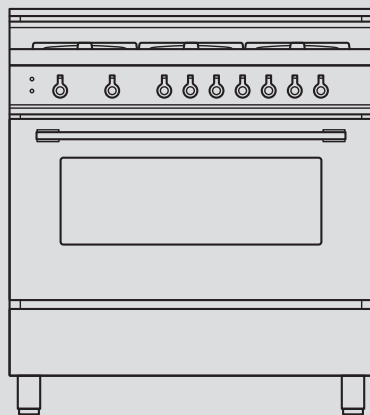
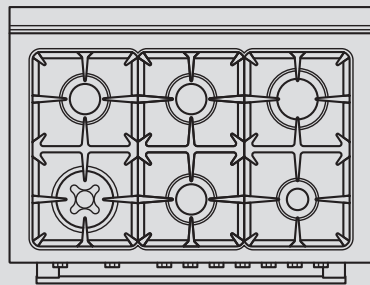
¹⁾ X48 6G GGV CR, X48 6G GGV RO, X48 6G GGV VI, X48 6G GGV NE, X48 6G GGV BI, X48 6G GGV GI, X48 6G GGV VE, X48 6G GGV BL
 Comes with a standard 4" Backguard.
 Optional 2" Backguard and flat Island Trim available.



BERTAZZONI
PROFESSIONAL SERIES
 SIX-BURNER
 FREE-STANDING GAS RANGE 36"

Range 36"	
X36 6 GGV X ¹⁾	
6 burners	
Gas oven	•
Gas grill	•
Safety device, one-hand ignition	•
Convection	•
Storage compartment	•
Dimensions	
Width	36"
Depth side panel	24"
Total depth	25 1/8"
Height	35 1/2" ÷ 37 1/4"
Oven	29 1/2" x 16 1/2" x 12 3/4"
Oven volume	3.6 ft ³
Burner power	
Dual wok	12000 + 3000 Btu/h
Rapid	11000 Btu/h
Semi-rapid	6500 Btu/h
Auxiliary	3400 Btu/h
Simmer rate	750 Btu/h

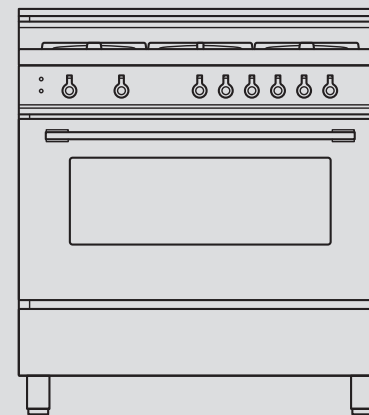
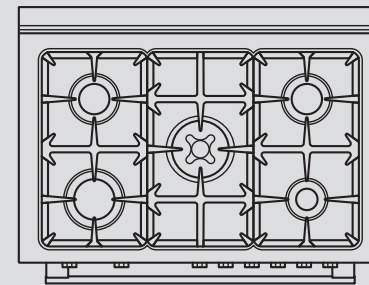
¹⁾ X36 6 GGV BI, X36 6 GGV RO, X36 6 GGV VI, X36 6 GGV NE, X36 6 GGV CR, X366 GGV GI, X36 6 GGV VE, X36 6 GGV BL
 Comes with a standard 4" Backguard.
 Optional 2" Backguard and flat Island Trim available.
 Available with LPG factory setting (X36 6 GGV X LPG).



BERTAZZONI
PROFESSIONAL SERIES
 FIVE-BURNER
 FREE-STANDING GAS RANGE 36"

Range 36"	
X36 5 GGV X ¹⁾	
5 burners	
Gas oven	•
Gas grill	•
Safety device, one-hand ignition	•
Convection	•
Storage compartment	•
Dimensions	
Width	36"
Depth side panel	24"
Total depth	25 1/8"
Height	35 1/2" ÷ 37 1/4"
Oven	29 1/2" x 16 1/2" x 12 3/4"
Oven volume	3.6 ft ³
Burner power	
Dual wok	12000 + 3000 Btu/h
Rapid	11000 Btu/h
Semi-rapid	6500 Btu/h
Auxiliary	3400 Btu/h
Simmer rate	750 Btu/h

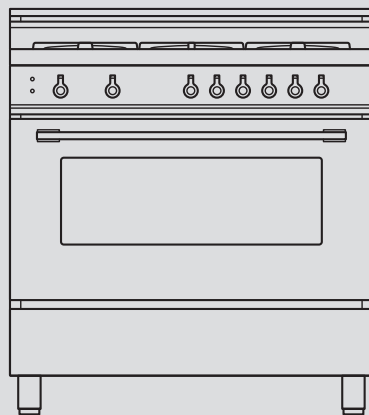
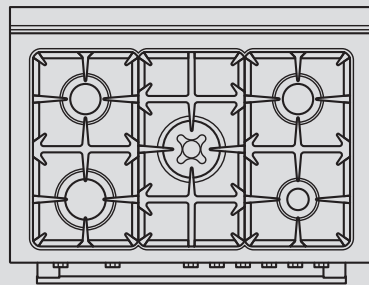
¹⁾ X36 5 GGV BI, X36 5 GGV RO, X36 5 GGV VI, X36 5 GGV NE, X36 5 GGV CR, X36 5 GGV GI, X36 5 GGV NE, X36 5 GGV BL
 Comes with a standard 4" Backguard.
 Optional 2" Backguard and flat Island Trim available.
 Available with LPG factory setting (X36 5 GGV X LPG).



BERTAZZONI
PROFESSIONAL SERIES
 FIVE-BURNER
 FREE-STANDING RANGE 36"
 WITH SELF-CLEAN OVEN

	Range 36" X36 5 PIR X 5 burners
Safety device, one-hand ignition	•
Electric oven, 9 cooking functions	convection, baking, roasting, turbo, convection broiling, dehydrate, proofing, warming
Convection	n/a
Dimensions	
Width	36"
Depth side panel	24"
Total depth	25 1/8"
Height	35 1/2" ÷ 37 1/4"
Oven	27 1/2" x 17 1/2" x 14"
Oven volume	4 ft³
Burner power	
Dual wok	12000 + 3000 Btu/h
Rapid	11000 Btu/h
Semi-rapid	6500 Btu/h
Auxiliary	3400 Btu/h
Simmer rate	750 Btu/h

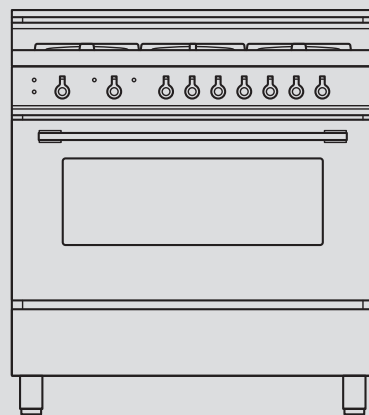
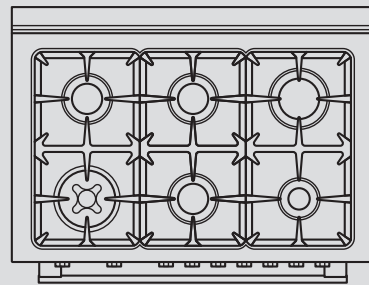
Comes with a standard 4" Backguard.
 Optional 2" Backguard and flat Island Trim available.



BERTAZZONI
PROFESSIONAL SERIES
 SIX-BURNER
 FREE-STANDING RANGE 36"
 WITH SELF-CLEAN OVEN

	Range 36" X36 6 PIR X 6 burners
Safety device, one-hand ignition	•
Electric oven, 9 cooking functions	convection, baking, roasting, turbo, convection broiling, dehydrate, proofing, warming
Convection	n/a
Dimensions	
Width	36"
Depth side panel	24"
Total depth	25 1/8"
Height	35 1/2" ÷ 37 1/4"
Oven	27 1/2" x 17 1/2" x 14"
Oven volume	4 ft³
Burner power	
Dual wok	12000 + 3000 Btu/h
Rapid	11000 Btu/h
Semi-rapid	6500 Btu/h
Auxiliary	3400 Btu/h
Simmer rate	750 Btu/h

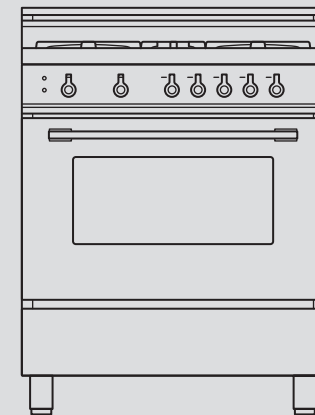
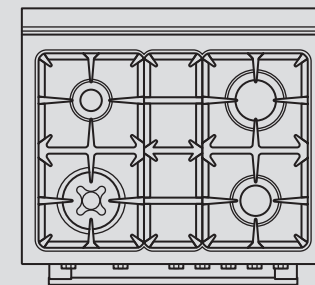
Comes with a standard 4" Backguard.
 Optional 2" Backguard and flat Island Trim available.



BERTAZZONI
PROFESSIONAL SERIES
 FOUR-BURNER
 FREE-STANDING GAS RANGE 30"

	Range 30" X30 4 GGV X ¹⁾ 4 burner
Gas oven	•
Gas grill	•
Safety device, one-hand ignition	•
Convection	•
Storage compartment	•
Dimensions	
Width	30"
Depth side panel	24"
Total depth	25 1/8"
Height	35 1/2" ÷ 37 1/4"
Oven	23 1/2" x 16 1/2" x 13"
Oven volume	2.9 ft³
Burner power	
Dual wok	12000 + 3000 Btu/h
Rapid	11000 Btu/h
Semi-rapid	6500 Btu/h
Auxiliary	3400 Btu/h
Simmer rate	750 Btu/h

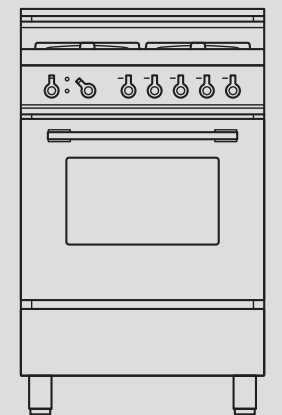
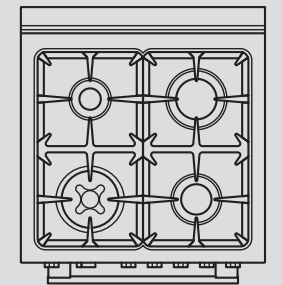
¹⁾ X30 4 GGV BI, X30 4 GGV RO, X30 4 GGV VI, X30 4 GGV NE
 Comes with a standard 4" Backguard.
 Optional 2" Backguard and flat Island Trim available.
 Available with LPG factory setting (X30 4 GGV X LPG).



BERTAZZONI
PROFESSIONAL SERIES
 FOUR-BURNER
 FREE-STANDING GAS RANGE 24"

	Range 24" X24 4 GGV X 4 burners
Gas oven	•
Gas grill	•
Safety device, one-hand ignition	•
Convection	•
Storage compartment	•
Dimensions	
Width	24"
Depth side panel	24"
Total depth	25 1/8"
Height	35 1/2" ÷ 37 1/4"
Oven	17 3/4" x 15" x 12 1/2"
Oven volume	1.9 ft³
Burner power	
Dual wok	12000 + 3000 Btu/h
Rapid	11000 Btu/h
Semi-rapid	6500 Btu/h
Auxiliary	3400 Btu/h
Simmer rate	750 Btu/h

Comes with a standard 4" Backguard.
 Optional 2" Backguard and flat Island Trim available.



BERTAZZONI
PROFESSIONAL SERIES
 FIVE-BURNER
 GAS RANGE TOP 36"

Range Top 36"
 C36 5 00 X
 5 burners

Safety device, one-hand ignition •

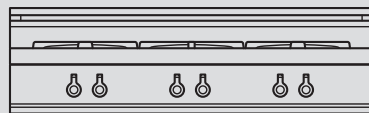
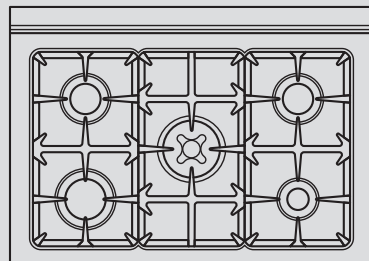
Dimensions

Width	36"
Depth side panel	24"
Total depth	25 1/8"
Height	6 1/2"

Burner power

Dual wok	12000 + 3000 Btu/h
Rapid	11000 Btu/h
Semi-rapid	6500 Btu/h
Auxiliary	3400 Btu/h
Simmer rate	750 Btu/h

Comes with a standard 4" Backguard.
 Optional 2" Backguard and flat Island Trim available.



BERTAZZONI
PROFESSIONAL SERIES
 SIX-BURNER
 GAS RANGE TOP 36"

Range Top 36"
 C36 6 00 X
 6 burners

Safety device, one-hand ignition •

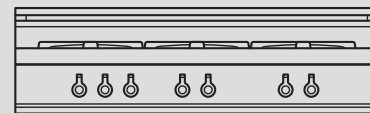
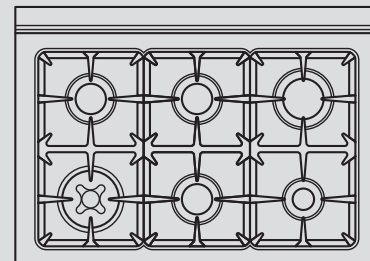
Dimensions

Width	36"
Depth side panel	24"
Total depth	25 1/8"
Height	6 1/2"

Burner power

Dual wok	12000 + 3000 Btu/h
Rapid	11000 Btu/h
Semi-rapid	6500 Btu/h
Auxiliary	3400 Btu/h
Simmer rate	750 Btu/h

Comes with a standard 4" Backguard.
 Optional 2" Backguard and flat Island Trim available.



BERTAZZONI
PROFESSIONAL SERIES
 DROP-IN GAS COOKTOP 36"

Drop-In 36"
 D36 6 00 X
 6 burners

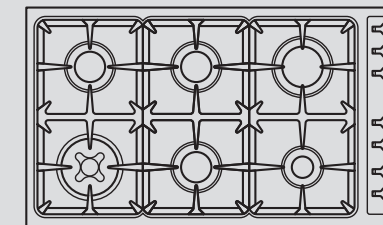
Safety device, one-hand ignition •

Dimensions

	Appliances	Aperture
Width	36 3/8"	35 5/8"
Depth	21 1/4"	20 1/2"
Height	1 5/8"	2 1/4"

Burner power

Dual wok	12000 + 3000 Btu/h
Rapid	11000 Btu/h
Semi-rapid	6500 Btu/h
Auxiliary	3400 Btu/h
Simmer rate	750 Btu/h



BERTAZZONI
MODULAR SERIES
 FOUR-BURNER
 GAS COOK TOP 24"

Cook Top 24"
 P24 4 00 X
 4 burners

Safety device, one-hand ignition •

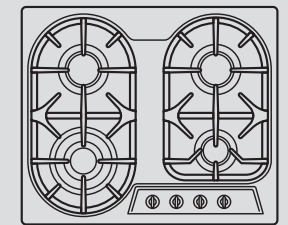
Dimensions

	Appliance	Aperture ¹⁾
Width	23 1/4"	24 1/2"
Depth	19 3/4"	18 7/8"
Height	1 3/4"	1 3/4"

Burner power

Wok	12000 Btu/h
Rapid	11000 Btu/h
Semi-rapid	6500 Btu/h
Auxiliary	3400 Btu/h
Simmer rate	750 Btu/h

¹⁾ An Adapter Kit for existing larger aperture is available (AK 34 36 X)



**BERTAZZONI
MODULAR SERIES**
FIVE-BURNER
GAS COOK TOP 34"

Cook Top 34"
P34 5 00 X
5 burners

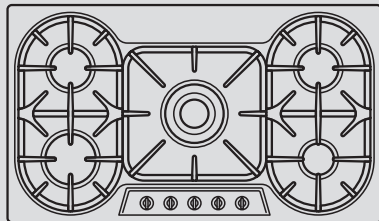
Safety device, one-hand ignition •

Dimensions	Appliance	Aperture ¹⁾
Width	33 7/8"	33 7/8"
Depth	19 3/4"	18 7/8"
Height	1 3/4"	1 3/4"

Burner power

Wok	12000 Btu/h
Rapid	11000 Btu/h
Semi-rapid	6500 Btu/h
Auxiliary	3400 Btu/h
Simmer rate	750 Btu/h

¹⁾ An Adapter Kit for existing larger aperture is available (AK 34 36 X)



**BERTAZZONI
MODULAR SERIES**
FIVE-BURNER
GAS COOK TOP 36"

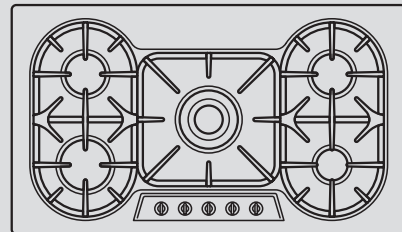
Cook Top 36"
P36 5 00 X
5 burners

Safety device, one-hand ignition •

Dimensions	Appliance	Aperture
Width	35 7/8"	min. 33 7/8" max. 35 7/8"
Depth	21 5/8"	min. 18 7/8" max. 20 15/16"
Height	1 3/4"	1 3/4"

Burner power

Wok	12000 Btu/h
Rapid	11000 Btu/h
Semi-rapid	6500 Btu/h
Auxiliary	3400 Btu/h
Simmer rate	750 Btu/h



BERTAZZONI
PROFESSIONAL SERIES
 RANGE HOOD 48"
 BACKSPLASH 48"

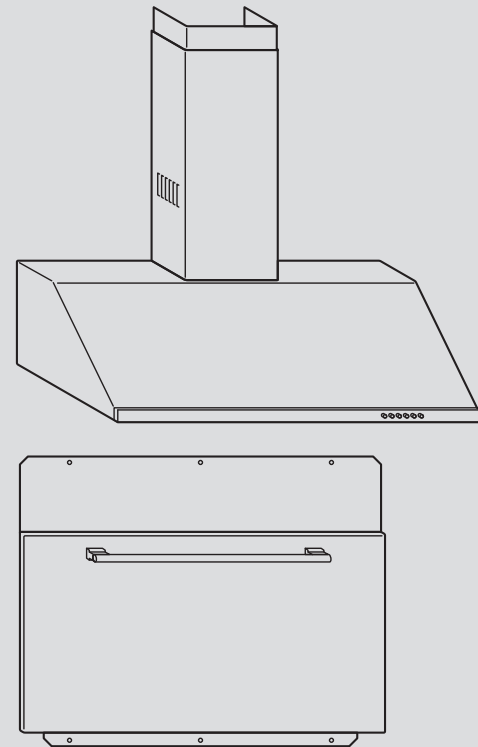
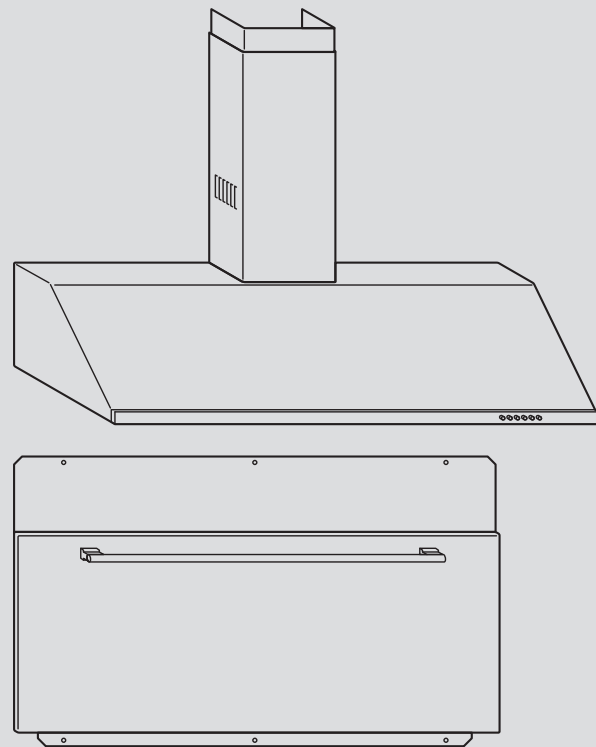
	Range Hood 48" K48 PRO X	Backsplash BS48 PRO X
Two motors	•	n/a
Electronic control	•	n/a
Halogen lights	•	n/a
Mesh filters	•	n/a
Utensil bar	n/a	•
Dimensions		
Width	48"	48"
Depth	19"	21 1/2"
Height	min.33 1/2" max.47 1/2"	n/a
Distance fr. worktop	25 1/2" + 31 1/2"	n/a
Motor power	600 cfm	n/a
Thickness	n/a	3/4"
Hood adjustment	n/a	6"

BERTAZZONI
PROFESSIONAL SERIES
 RANGE HOOD 36"
 BACKSPLASH 36"

	Range Hood 36" K36 PRO X
Two motors	•
Electronic control	•
Halogen lights	•
Mesh filters	•
Dimensions	
Width	36"
Depth	19"
Height	min.33 1/2" max.47 1/2"
Distance fr. worktop	25 1/2" + 31 1/2"
Motor power	600 cfm

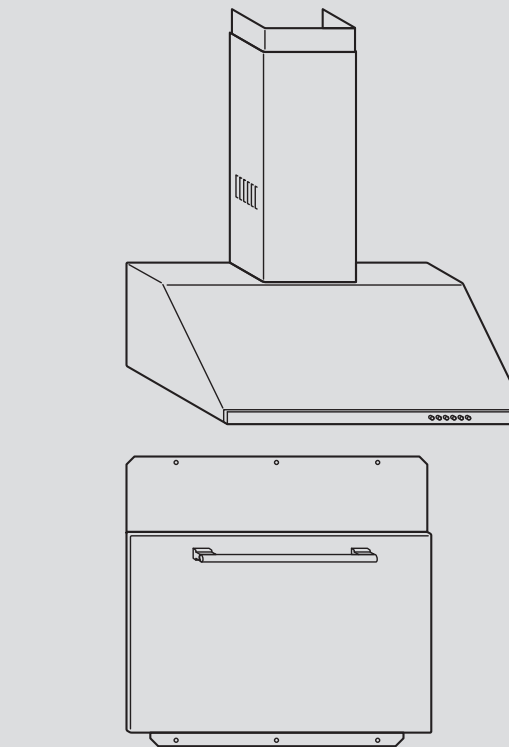
	Backsplash BS36 PRO X	Backsplash BS36 PRO X-WR	Backsplash BS36 PRO X RH ¹⁾
Utensil bar	•	x	x
Dimensions			
Width	36"	36"	36"
Height	21 1/2"	21 1/2"	8"
Thickness	3/4"	3/4"	3/4"
Hood adjustment	6"	6"	n/a

¹⁾ Designed for installation over the upstand or under the hood.



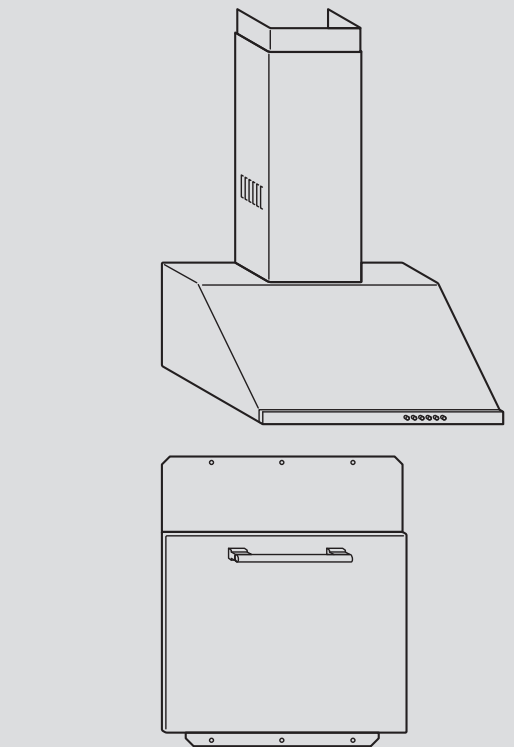
BERTAZZONI
PROFESSIONAL SERIES
 BACKSPLASH 30"
 RANGE HOOD 30"

	Range Hood 30" K30 PRO X	Backsplash BS30 PRO X
Two motors	•	n/a
Electronic control	•	n/a
Halogen lights	•	n/a
Mesh filters	•	n/a
Utensil bar	n/a	•
Dimensions		
Width	30"	30"
Depth	19"	21 1/2"
Height	min.33 1/2" max.47 1/2"	n/a
Distance fr. worktop	25 1/2" + 31 1/2"	n/a
Motor power	600 cfm	n/a
Thickness	n/a	3/4"
Hood adjustment	n/a	6"



BERTAZZONI
PROFESSIONAL SERIES
 RANGE HOOD 24"
 BACKSPLASH 24"

	Range Hood 24" K24 PRO X	Backsplash BS24 PRO X
Two motors	•	n/a
Electronic control	•	n/a
Halogen lights	•	n/a
Mesh filters	•	n/a
Utensil bar		•
Dimensions		
Width	24"	24"
Depth	19"	21 1/2"
Height	min.33 1/2" max.47 1/2"	3/4"
Distance fr. worktop	25 1/2" + 31 1/2"	6"
Motor power	600 cfm	n/a
Thickness	n/a	n/a
Hood adjustment	n/a	n/a



**BERTAZZONI
MODULAR SERIES**

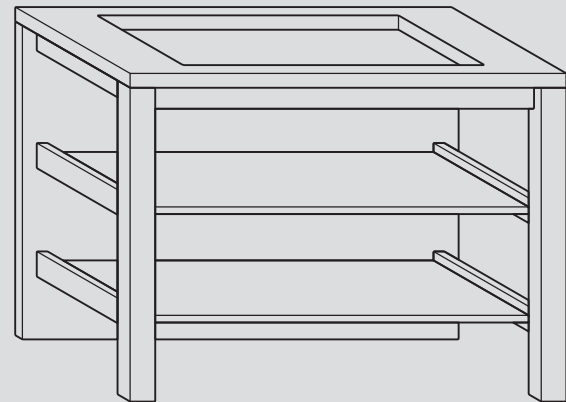
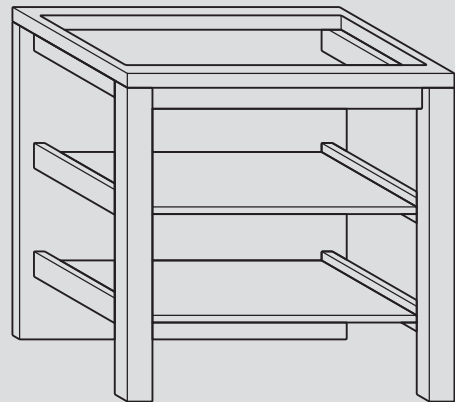
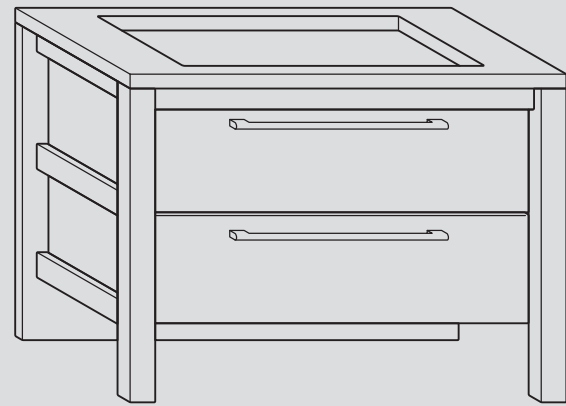
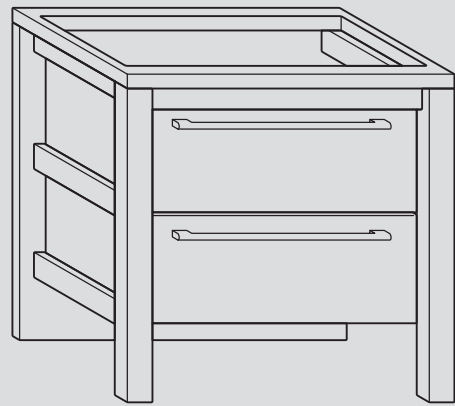
CABINET 36", WITH SHELVES
 CABINET 36", WITH DRAWERS
 CABINET 48", WITH SHELVES
 CABINET 48", WITH DRAWERS

58

59

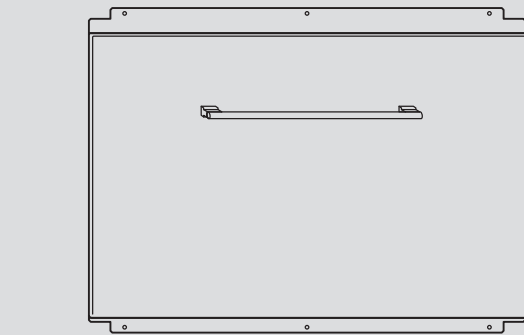
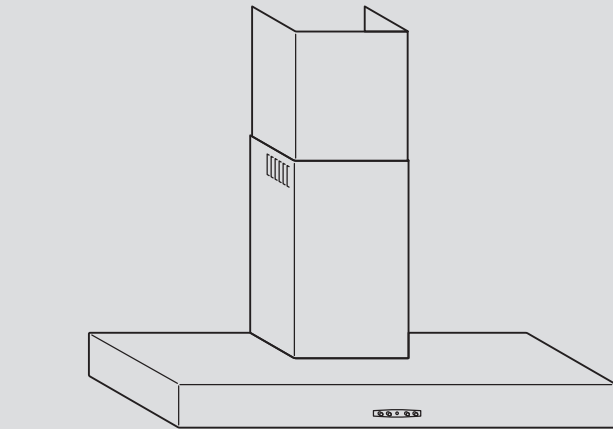
	Cabinet 36" x 24" L36 90 X	Cabinet 36" x 24" L36 90 X DR	Cabinet 48" x 24" L48 90 X	Cabinet 48" x 24" L48 90 X DR
Designed to host 34" b.i. hob	•	•	•	•
Supplied with 2 drawers	x	•	x	•
Dimensions				
Width	36"	36"	48"	48"
Depth	24"	24"	24"	24"
Height	36"	36"	36"	36"
Height adjustment	± 1/8"	± 1/8"	± 1/8"	± 1/8"

Modular Series cabinets are also available without cutouts as counter units: L36 TP X, L36 TP X DR, L48 TP X, L48 TP X DR



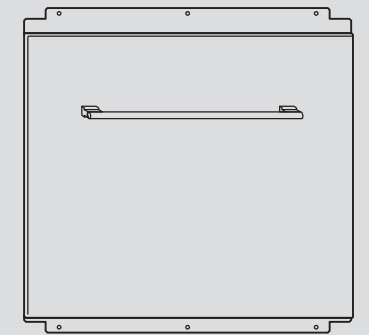
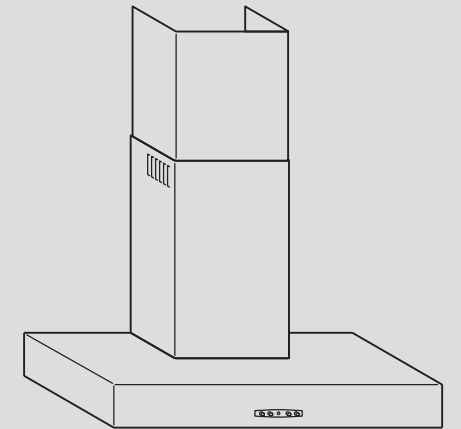
**BERTAZZONI
MODULAR SERIES**
 RANGE HOOD 48"
 BACKSPLASH 48"

	Range Hood 48" K48 CON X	Backsplash BS48 CON X
Two motors	•	n/a
Electronic control	•	n/a
Halogen lights	•	n/a
Mesh filters	•	n/a
Utensil bar	n/a	•
Dimensions		
Width	48"	48"
Depth	19 1/4"	31"
Height	26" ÷ 40 1/2"	n/a
Distance fr. worktop	min. 25 1/2" max. 31 1/2"	n/a
Motor power	600 cfm	n/a
Thickness	n/a	1/4"
Hood height adjustm.	n/a	1"



**BERTAZZONI
MODULAR SERIES**
 RANGE HOOD 36"
 BACKSPLASH 36"

	Range Hood 36" K36 CON X	Backsplash BS36 CON X
Two motors	•	n/a
Electronic control	•	n/a
Halogen lights	•	n/a
Mesh filters	•	n/a
Utensil bar	n/a	•
Dimensions		
Width	36"	36"
Depth	19 1/4"	31"
Height	26" ÷ 40 1/2"	n/a
Distance fr. worktop	min. 25 1/2" max. 31 1/2"	n/a
Motor power	600 cfm	n/a
Thickness	n/a	1/4"
Hood height adjustm.	n/a	1"



BERTAZZONI
HERITAGE SERIES
 SIX-BURNER
 FREE-STANDING GAS RANGE 48"

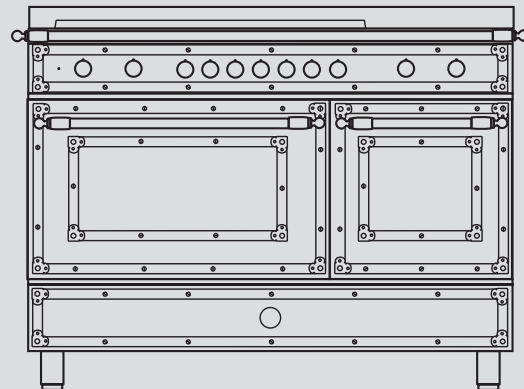
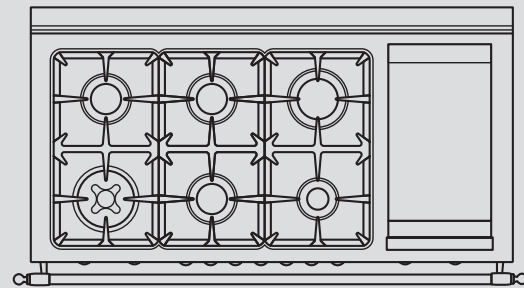
Range 48"
 H48 6G GGV NE ¹⁾
 6 burners

Gas oven	•
Gas grill	•
Safety device, one-hand ignition	•
Convection	•
Storage compartment	•

Dimensions	
Width	48"
Depth side panel	24"
Total depth	25 1/8"
Height	35 1/2" ÷ 37 1/4"
Main oven	23 1/2" x 16 1/2" x 13" = 2.90ft ³
Auxiliary oven	14 1/2" x 16 1/2" x 13" = 1.80ft ³

Burner power	
Dual wok	12000 + 3000 Btu/h
Rapid	11000 Btu/h
Semi-rapid	6500 Btu/h
Auxiliary	3400 Btu/h
Simmer rate	750 Btu/h
Electric griddle	1100 w

¹⁾ H48 6G GGV CR, H48 6G GGV VI
 Comes with a standard 4" Backguard
 Optional 2" Backguard and flat Island Trim available



BERTAZZONI
HERITAGE SERIES
 SIX-BURNER
 FREE-STANDING GAS RANGE 36"

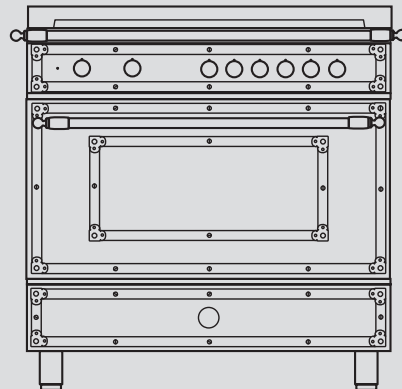
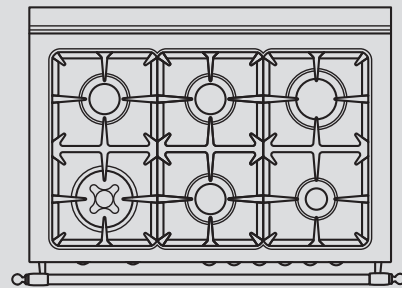
Range 36"
 H36 6 GGV NE ¹⁾
 6 burners

Gas oven	•
Gas grill	•
Safety device, one-hand ignition	•
Convection	•
Storage compartment	•

Dimensions	
Width	36"
Depth side panel	24"
Total depth	25 1/8"
Height	35 1/2" ÷ 37 1/4"
Oven	29 1/2" x 16 1/2" x 12 3/4"
Oven volume	3.6 ft ³

Burner power	
Dual wok	12000 + 3000 Btu/h
Rapid	11000 Btu/h
Semi-rapid	6500 Btu/h
Auxiliary	3400 Btu/h
Simmer rate	750 Btu/h

¹⁾ H36 6 GGV CR, H36 6 GGV VI
 Comes with a standard 4" Backguard
 Optional 2" Backguard and flat Island Trim available.



BERTAZZONI
HERITAGE SERIES
 FOUR-BURNER
 FREE-STANDING GAS RANGE 30"

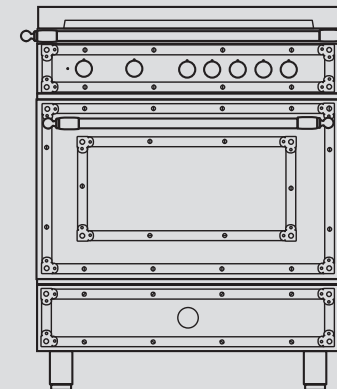
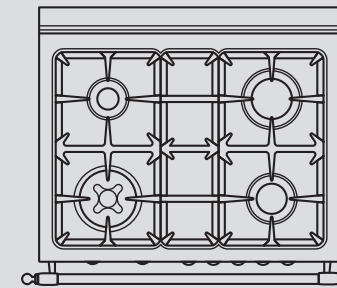
Range 30"
 H30 4 GGV NE ¹⁾
 4 burners

Gas oven	•
Gas grill	•
Safety device, one-hand ignition	•
Convection	•
Storage compartment	•

Dimensions	
Width	36"
Depth side panel	24"
Total depth	25 1/8"
Height	35 1/2" ÷ 37 1/4"
Oven	23 1/2" x 16 1/2" x 13"
Oven volume	2.9 ft ³

Burner power	
Dual wok	12000 + 3000 Btu/h
Rapid	11000 Btu/h
Semi-rapid	6500 Btu/h
Auxiliary	3400 Btu/h
Simmer rate	750 Btu/h

¹⁾ H30 4 GGV CR, H30 4 GGV VI
 Comes with a standard 4" Backguard
 Optional 2" Backguard and flat Island Trim available.



BERTAZZONI
HERITAGE SERIES
 RANGE HOOD 48"
 BACKSPLASH 48"

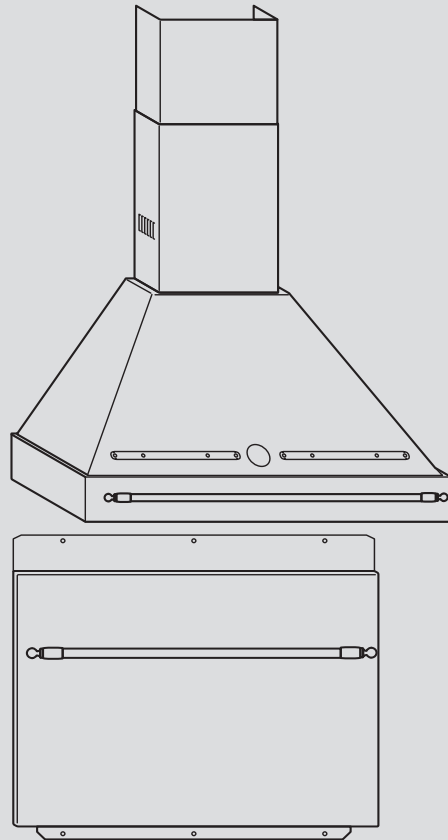
The Heritage Series Range Hood is supplied in two parts.

Blower and Stainless Steel Base Assembly K48 HER X ¹⁾	
Two motors	•
Electronic control	•
Halogen lights	•
Stainl. St. baffle filters	•
Motor power	600 cfm
Distance fr. worktop	25 1/2" + 3 1/2"

	Canopy ¹⁾ KC48 HER NE	Backsplash BS48 HER X
Front bar	•	n/a
Utensil bar	n/a	•

Dimensions		
Width	48"	48"
Depth	19 1/2"	n/a
Height	26" + 40 1/2"	31"
Thickness	n/a	3/4"
Hood adjustment	n/a	1 1/2"

¹⁾ KC48 HER CR, KC 48 HER VI



BERTAZZONI
HERITAGE SERIES
 RANGE HOOD 36"
 BACKSPLASH 36"

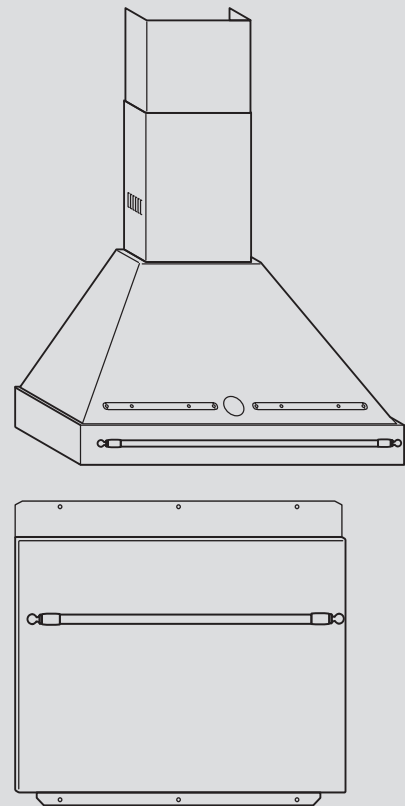
The Heritage Series Range Hood is supplied in two parts.

Blower and Stainless Steel Base Assembly K36 HER X ¹⁾	
Two motors	•
Electronic control	•
Halogen lights	•
Stainl. St. baffle filters	•
Motor power	600 cfm
Distance fr. worktop	25 1/2" + 3 1/2"

	Canopy ¹⁾ KC36 HER NE	Backsplash BS36 HER X
Front bar	•	n/a
Utensil bar	n/a	•

Dimensions		
Width	36"	36"
Depth	21 1/2"	n/a
Height	26" + 40 1/2"	26 1/2"
Thickness	n/a	3/4"
Hood adjustment	n/a	1 1/2"

¹⁾ KC36 HER CR, KC 36 HER VI



BERTAZZONI
HERITAGE SERIES
 RANGE HOOD 30"
 BACKSPLASH 30"

The Heritage Series Range Hood is supplied in two parts.

Blower and Stainless Steel Base Assembly K30 HER X ¹⁾	
Two motors	•
Electronic control	•
Halogen lights	•
Stainl. St. baffle filters	•
Motor power	600 cfm
Distance fr. worktop	25 1/2" + 3 1/2"

	Canopy ¹⁾ KC30 HER NE	Backsplash BS30 HER X
Front bar	•	n/a
Utensil bar	n/a	•

Dimensions		
Width	30"	30"
Depth	19 1/4"	n/a
Height	26" + 40 1/2"	31"
Thickness	n/a	3/4"
Hood adjustment	n/a	1 1/2"

¹⁾ KC30 HER CR, KC30 HER VI

