

# Ascenta Dishwasher SHX3AM0xUC

## Dishwasher Spec Sheet



**BOSCH**

Invented for life



SHX3AM05UC

### Features & Benefits

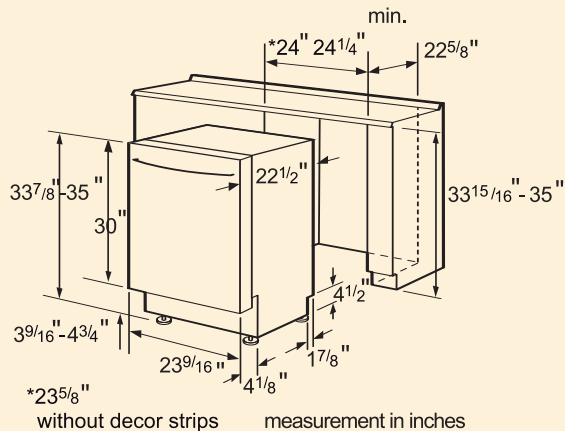
- Concealed Control Panel
- 3 Wash Cycles
- **ECOSENSE™** Wash Management System

### SHX3AM0\_UC

Type	Dishwasher
Color Options	
Black	SHX3AM06UC
White	SHX3AM02UC
Stainless Steel	SHX3AM05UC
Control Panel Style	Concealed
Stainless Steel <b>TALLTUB</b> with *PP	•
Two-Pump Motor System	•
Suspension Motor	•
Triple Filtration System	•
Flow-Through Water Heater	•
Five Level Wash	•
Condensation Drying	•
Nylon Coated Racks	•
NSF Certified Cycles	•
Electronic Controls	•
Silence Rating	53 dBA
Wash Cycles	3
Power Scrub Plus	•
Regular Wash	•
<b>QUICKWASH</b>	•
<b>ECOSENSE™</b>	•
Upper Rack	Standard
Flip Tines	1 Half Flip-Down Row
Lower Rack	Standard
Silverware Basket	Standard
Silverware Basket Cover	•
Place Setting Capacity	12
LED	•
Sanitized Indicator Light	•
Rinse Aid Indicator Light	•
Overflow Protection	•
Est. Yearly Energy Consumption	300 kWh/y
ENERGY STAR® Qualified	•
Maximum Amp Draw	12A
Power Requirements	120V AC, 60Hz, 15A
Cutout (HxWxD)	34" x 24" x 22 1/2"
Power Cord Accessory Available	•

\*PP = polypropylene base

### Dimensions:



Notes: All height, width and depth dimensions are shown in inches. \*Please refer to installation instructions prior to making cutout. BSH reserves the absolute and unrestricted right to change product materials and specifications, at any time, without notice. Consult the product's installation instructions for final dimensional data and other details. Applicable product warranty can be found in accompanying product literature or you may contact your account manager for further details.

For more information on our entire line of products, go to [boschappliances.com](http://boschappliances.com) or call 1-800-944-2904.

Copyright ©2007 BSH Home Appliances Corporation. All rights reserved. Bosch is a registered trademark of Robert Bosch GmbH.

