

# INTEGRA® 800 Series SHV68M03UC

## Dishwasher Spec Sheet



**BOSCH**  
Invented for life



SHV68M03UC

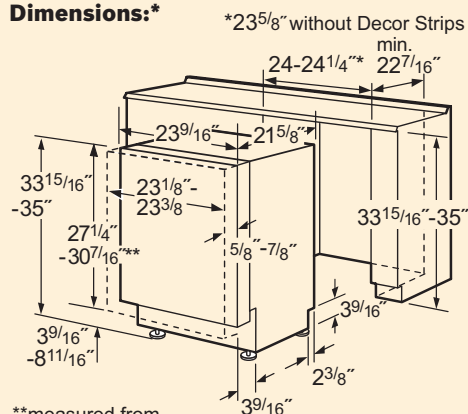


J.D. Power and Associates has ranked Bosch  
"Highest in Customer Satisfaction  
with Dishwashers, Two Years in a Row."

### Features & Benefits

- Concealed Control Panel
- 6 Wash Cycles and 3 Options
- Stainless Steel TALLTUB
- ECOSENSE™ Wash Management System
- AQUASTOP® Leak Protection
- Level Dishwasher From Front

### Dimensions:\*



\*\*measured from the bottom edge of the countertop panel thickness recommended 3/4" panel weight 9-18 lb

### SHV68M03UC

Type	Dishwasher
Color Options	
Fully Integrated	SHV68M03UC
Fascia Panel Color	Stainless Steel
Stainless Steel TALLTUB	•
Two-Pump Motor System	•
Suspension Motor	•
Triple Filtration System	•
Flow-Through Water Heater	•
Five Level Wash	•
Condensation Drying	•
Nylon Coated Racks	•
NSF Certified Cycles	•
Electronic Controls	•
Silence Rating	45 dBA
Wash Cycles	6
Auto Plus	•
Auto Wash	•
Auto Delicate	•
Regular Wash	•
Quick Wash	30 Minutes
Rinse & Hold	•
Options	3
ECOACTION™	•
Delay Start Option	1-19 Hours
Half Load Option	•
ECOUSENSE™	•
Upper Rack	Platinum Premium
Adjustability	RACKMATIC®
Flip Tines Upper Rack	4 Half Flip-Down Rows
Fine Cutlery and Silver Tray	•
Cup Shelves	2
Lower Rack	Platinum Premium
Flip Tines Lower Rack	8 Half Flip-Down Rows
Silverware Basket	Flexible
Silverware Basket Cover	Yes
Mezzanine Rack	•
Place Setting Capacity	14
Remaining Time	•
Multi-Function LED	•
Program Sequence Indicator	•
INFOLIGHT®	•
Sanitized Indicator Light	•
Rinse Aid Indicator Light	•
AQUASTOP® Leak Protection	•
Tall Item Sprinkler	•
End-of-Cycle Sound	•
OPTIDRY	•
Est. Yearly Energy Consumption	234 kWh
ENERGY STAR® Qualified	•
Maximum Amp Draw	12A
Power Requirements	120V AC, 60Hz, 15A
Cutout (HxWxD)	34" x 24" x 22 <sup>7</sup> / <sub>16</sub> "
Level Rear Legs From Front	•
Power Cord Accessory Available	•



Dishwashers are UL approved. Notes: All height, width and depth dimensions are shown in inches. \*Please refer to installation instructions prior to making cutout. BSH reserves the absolute and unrestricted right to change product materials and specifications, at any time, without notice. Consult the product's installation instructions for final dimensional data and other details. Applicable product warranty can be found in accompanying product literature or you may contact your account manager for further details.

Bosch received the highest numerical score with dishwashers in the proprietary J.D. Power and Associates 2007 Major Home Appliance Study. Study based on 12,656 total responses measuring 11 brands and measures opinions of consumers during the previous 24 months. Proprietary study results are based on experiences and perceptions of consumers surveyed in July and September 2007. Your experiences may vary. Visit [jdpower.com](http://jdpower.com).

For more information on our entire line of products, go to [boschappliances.com](http://boschappliances.com) or call 1-800-944-2904.

Copyright ©2008 BSH Home Appliances Corporation. All rights reserved. Bosch is a registered trademark of Robert Bosch GmbH.

