

# Ascenta Dishwasher SHE5AM0xUC

## Dishwasher Spec Sheet



**BOSCH**

Invented for life

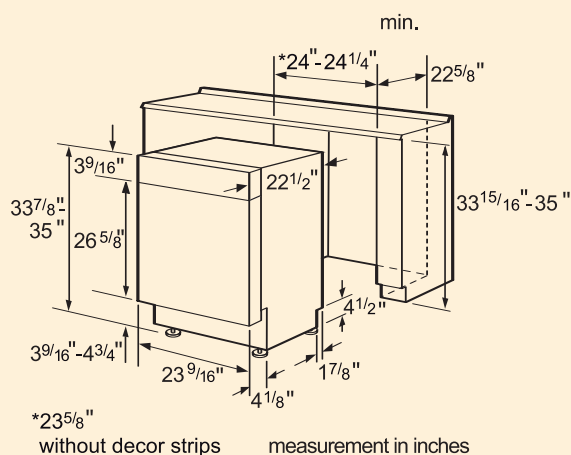


**SHE5AM06UC**

### Features & Benefits

- Visible Control Panel
- 5 Wash Cycles and 2 Options
- Adjustable Racks and Flexible Silverware Basket
- **ECOSENSE™** Wash Management System
- Multi-Function LED

### Dimensions:



### SHE5AM0\_UC

Type	Dishwasher
Color Options	
Black	SHE5AM06UC
White	SHE5AM02UC
Stainless Steel w/black control	SHE5AM05UC
Control Panel Style	Visible
Stainless Steel <b>TALLTUB</b> with *PP	•
Two-Pump Motor System	•
Suspension Motor	•
Triple Filtration System	•
Flow-Through Water Heater	•
Five Level Wash	•
Condensation Drying	•
Nylon Coated Racks	•
NSF Certified Cycles	•
Electronic Controls	•
Silence Rating	53 dBA
Wash Cycles	5
Power Scrub Plus	•
Regular Wash	•
<b>AUTOWASH™</b>	•
Delicate/Economy Wash	•
<b>QUICKWASH</b>	•
Options	2
Half Load Option	•
Delay Start Option	1-24 Hrs
<b>ECOSENSE™</b>	•
Upper Rack	Mid
Adjustability	Manual
Flip Tines	2 Half Flip-Down Rows
Cup Shelves	2
Lower Rack	Mid
Flip Tines Lower Rack	2 Half Flip-Down Rows
Silverware Basket	Flexible
Silverware Basket Cover	•
Place Setting Capacity	12
Remaining Time	•
Multi-Function LED	•
Sanitized Indicator Light	•
Rinse Aid Indicator Light	•
Overflow Protection	•
<b>CHILDLOCK</b>	Control
<b>OPTIDRY™</b>	•
Est. Yearly Energy Consumption	300 kWh/y
ENERGY STAR® Qualified	•
Maximum Amp Draw	12A
Power Requirements	120V AC, 60Hz, 15A
Cutout (HxWxD)	34" x 24" x 22 1/2"
Power Cord Accessory Available	•

\*PP = polypropylene base

Notes: All height, width and depth dimensions are shown in inches. \*Please refer to installation instructions prior to making cutout. BSH reserves the absolute and unrestricted right to change product materials and specifications, at any time, without notice. Consult the product's installation instructions for final dimensional data and other details. Applicable product warranty can be found in accompanying product literature or you may contact your account manager for further details.

For more information on our entire line of products, go to [boschappliances.com](http://boschappliances.com) or call 1-800-944-2904.

Copyright ©2007 BSH Home Appliances Corporation. All rights reserved. Bosch is a registered trademark of Robert Bosch GmbH.

