

# 24" Ascenta Dishwasher

## Dishwasher

### SHE5AL06UC



## Features and Benefits

### Appearance

- Stainless Steel TallTub w/ \*PP - Lifetime Warranty on Rust-Through
- 5 Wash Cycles and 2 Options

### Quietness

- Virtually Silent: 53 dBA
- Two Pump Motor System Minimizes Noise and Vibration

### Efficiency

- 300 kwh/yr - Exceeds Energy Star® Guidelines
- EcoSense™ Reduces Energy Usage by up to 20%
- Half Load Option for Small or Lightly Soiled Loads
- SaniDry™ Hygienic Condensation Drying
- Flow-Through Water Heater™
- Triple Filtration System

### Safety

- Bosch Exclusive 24/7 Overflow Leak Protection
- ChildLock Prevents Unwanted Cycle Changes
- NSF Certified - Eliminates 99.9% of Bacteria
- Concealed Heating Element - No Melting of Plastics

### Capacity

- 12 Place Setting Capacity
- Standard EasyLoad™ Racks with Standard Silverware Basket

### Convenience

- Quick Wash - In 30 Minutes or Less
- 3 h, 6 h, 9 h Delay Star Timer

### Performance



Notes: All height, width and depth dimensions are shown in inches. \*Please refer to installation instructions prior to making cutout. BSH reserves the absolute and unrestricted right to change product materials and specifications, at any time, without notice. Consult the product's installation instructions for final dimensional data and other details. Applicable product warranty can be found in a accompanying product literature or you may contact your account manager for further details.

For more information on our entire line of products, go to [boschappliances.com](http://boschappliances.com) or call 1-800-944-2904.  
Copyright ©2009 BSH Home Appliances Corporation. All rights reserved. Bosch is a registered trademark of Robert Bosch GmbH.

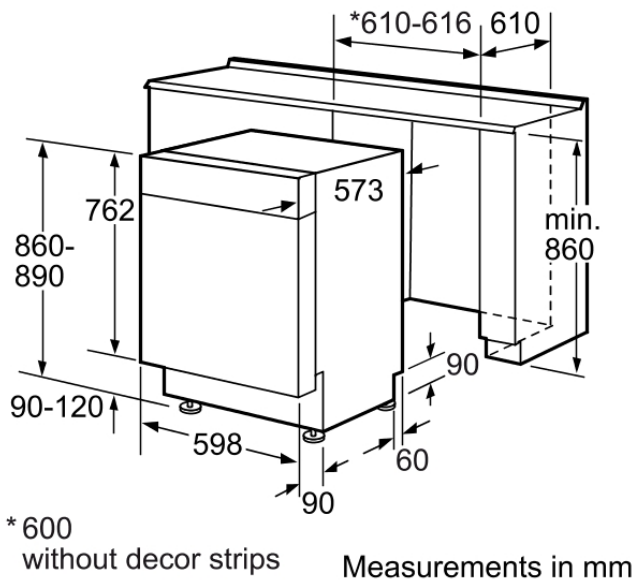
Litho Date: 05/2009



# 24" Ascenta Dishwasher

## Dishwasher

### SHE5AL06UC



### Features

|   |                                |
|---|--------------------------------|
| UPC code                                  | 825225875154                   |
| Main colour of product                    | Black                          |
| Installation Type                         | Build-under                    |
| Panel ready                               | Not possible                   |
| Alternative colors available              |                                |
| Silence level (dBA)                       | 53                             |
| Watts (W)                                 | 1400                           |
| Current (A)                               | 12                             |
| Volts (V)                                 | 120                            |
| Frequency (Hz)                            | 60                             |
| Total annual energy consumption (kWh)     | 300                            |
| Energy Star® qualified                    | Yes                            |
| Plug type                                 | Fixed connection               |
| Power cord length (in)                    |                                |
| Length outlet hose (in)                   | 90 1/2 "                       |
| Length inlet hose (in)                    |                                |
| Required cutout size (HxWxD) (in)         | 33 7/8 " x 23 5/8 " x 22 1/2 " |
| Overall appliance dimensions (HxWxD) (in) | 33 7/8 " x 23 7/8 " x 22 1/2 " |
| Product packaging dimensions (HxWxD) (in) | 36.61 x 26.37 x 25.98          |
| Net weight (lbs)                          | 94                             |
| Gross weight (lbs)                        | 105                            |
| Adjustable feet                           | No                             |
| Tub material                              | Stainless steel/Polinox        |
| Tub type                                  | TALLTUB                        |
| ADA Compliant                             | No                             |
| Number of place settings                  | 12                             |

### Technical Specification

|                           |                   |
|---------------------------|-------------------|
| Leak Protection System    | AQUASTOP          |
| ChildLock                 | Button suspension |
| Water softener            | No                |
| Top basket type           | low               |
| Adjustable upper rack     | No                |
| Shelf Racks in Top Basket |                   |
| Upper rack cup shelf      | no                |
| Bottom basket type        | low               |
| Bottom basket Inserts     |                   |
| 3rd Rack                  | no                |
| Silverware basket         | Standard          |
| Optional accessories      |                   |
| Included accessories      |                   |

Notes: All height, width and depth dimensions are shown in inches. \*Please refer to installation instructions prior to making cutout. BSH reserves the absolute and unrestricted right to change product materials and specifications, at any time, without notice. Consult the product's installation instructions for final dimensional data and other details. Applicable product warranty can be found in a accompanying product literature or you may contact your account manager for further details.

For more information on our entire line of products, go to [boschappliances.com](http://boschappliances.com) or call 1-800-944-2904.  
Copyright ©2009 BSH Home Appliances Corporation. All rights reserved. Bosch is a registered trademark of Robert Bosch GmbH.

Litho Date: 05/2009

