

24" Ascenta Dishwasher

Dishwasher

SHE5AL05UC



Features and Benefits

Appearance

- Stainless Steel TallTub w/ *PP - Lifetime Warranty on Rust-Through
- 5 Wash Cycles and 2 Options

Quietness

- Virtually Silent: 53 dBA
- Two Pump Motor System Minimizes Noise and Vibration

Efficiency

- 300 kwh/yr - Exceeds Energy Star® Guidelines
- EcoSense™ Reduces Energy Usage by up to 20%
- Half Load Option for Small or Lightly Soiled Loads
- SaniDry™ Hygienic Condensation Drying
- Flow-Through Water Heater™
- Triple Filtration System

Safety

- Bosch Exclusive 24/7 Overflow Leak Protection
- ChildLock Prevents Unwanted Cycle Changes
- NSF Certified - Eliminates 99.9% of Bacteria
- Concealed Heating Element - No Melting of Plastics

Capacity

- 12 Place Setting Capacity
- Standard EasyLoad™ Racks with Standard Silverware Basket

Convenience

- Quick Wash - In 30 Minutes or Less
- 3 h, 6 h, 9 h Delay Star Timer

Performance



Notes: All height, width and depth dimensions are shown in inches. *Please refer to installation instructions prior to making cutout. BSH reserves the absolute and unrestricted right to change product materials and specifications, at any time, without notice. Consult the product's installation instructions for final dimensional data and other details. Applicable product warranty can be found in a accompanying product literature or you may contact your account manager for further details.

For more information on our entire line of products, go to boschappliances.com or call 1-800-944-2904.
Copyright ©2009 BSH Home Appliances Corporation. All rights reserved. Bosch is a registered trademark of Robert Bosch GmbH.

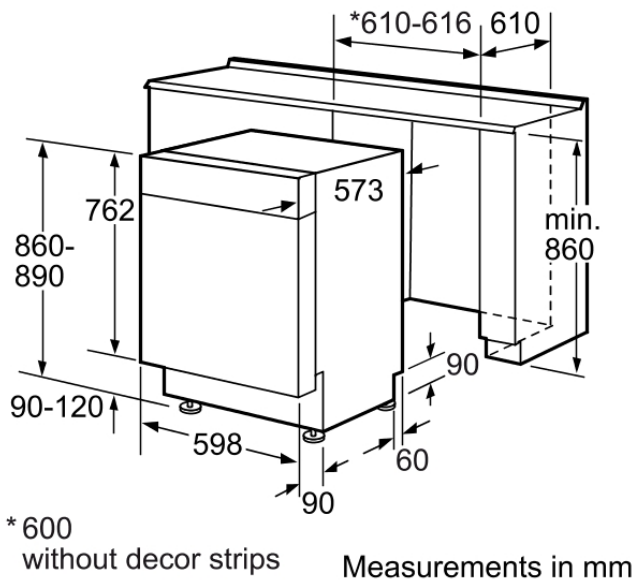
Litho Date: 05/2009



24" Ascenta Dishwasher

Dishwasher

SHE5AL05UC



Features

UPC code	825225875147
Main colour of product	Stainless steel
Installation Type	Build-under
Panel ready	Not possible
Alternative colors available	
Silence level (dBA)	53
Watts (W)	1400
Current (A)	12
Volts (V)	120
Frequency (Hz)	60
Total annual energy consumption (kWh)	300
Energy Star® qualified	Yes
Plug type	Fixed connection
Power cord length (in)	
Length outlet hose (in)	90 1/2 "
Length inlet hose (in)	
Required cutout size (HxWxD) (in)	33 7/8 " x 23 5/8 " x 22 1/2 "
Overall appliance dimensions (HxWxD) (in)	33 7/8 " x 23 7/8 " x 22 1/2 "
Product packaging dimensions (HxWxD) (in)	36.61 x 26.37 x 25.98
Net weight (lbs)	94
Gross weight (lbs)	105
Adjustable feet	No
Tub material	Stainless steel/Polinox
Tub type	TALLTUB
ADA Compliant	No
Number of place settings	12

Technical Specification

Leak Protection System	AQUASTOP
ChildLock	Button suspension
Water softener	No
Top basket type	low
Adjustable upper rack	No
Shelf Racks in Top Basket	
Upper rack cup shelf	no
Bottom basket type	low
Bottom basket Inserts	
3rd Rack	no
Silverware basket	Standard
Optional accessories	
Included accessories	

Notes: All height, width and depth dimensions are shown in inches. *Please refer to installation instructions prior to making cutout. BSH reserves the absolute and unrestricted right to change product materials and specifications, at any time, without notice. Consult the product's installation instructions for final dimensional data and other details. Applicable product warranty can be found in a accompanying product literature or you may contact your account manager for further details.

For more information on our entire line of products, go to boschappliances.com or call 1-800-944-2904.
Copyright ©2009 BSH Home Appliances Corporation. All rights reserved. Bosch is a registered trademark of Robert Bosch GmbH.

Litho Date: 05/2009

