

SHE55P06UC

24" Evolution 500 Series

Dishwasher



Features and Benefits

Appearance

- Stainless Steel TallTub
- 5 Wash Cycles and 3 Options

Quietness

- Virtually Silent: 47 dBA
- Two Pumps Minimize Noise & Vibration
- Solid Base Contains Sound & Prevents Leaks

Efficiency

- 259 kwh/yr - Energy Star®
- EcoSense™ Reduces Energy Usage by up to 20%
- Half Load Option for Small Loads
- Flow-Through Water Heater™
- Triple Filtration System

Safety

- AquaStop® Leak Protection
- Sanitize Option eliminates bacteria and enhances drying results
- ChildLock Prevents Unwanted Cycle Changes
- NSF Certified - Eliminates 99.9% of Bacteria
- Concealed Heating Element - No Melting of Plastics
- SaniDry™ Hygienic Condensation Drying

Capacity

- 14 Place Setting Capacity
- 500 Series Racks with Flexible Silverware Basket
- RackMatic® Automatically Adjustable Upper Rack



Notes: All height, width and depth dimensions are shown in inches. *Please refer to installation instructions prior to making cutout. BSH reserves the absolute and unrestricted right to change product materials and specifications, at any time, without notice. Consult the product's installation instructions for final dimensional data and other details. Applicable product warranty can be found in a accompanying product literature or you may contact your account manager for further details.

For more information on our entire line of products, go to boschappliances.com or call 1-800-944-2904.
Copyright ©2009 BSH Home Appliances Corporation. All rights reserved. Bosch is a registered trademark of Robert Bosch GmbH.

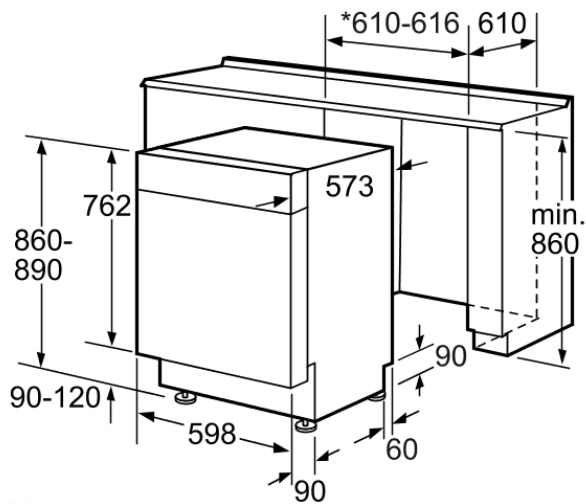
Litho Date: 08/2009



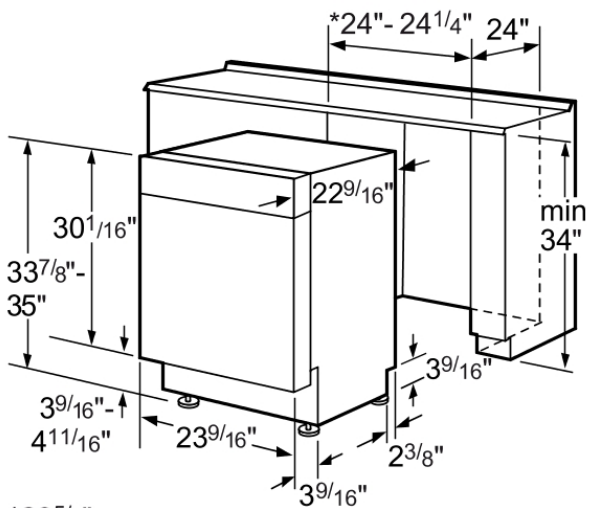
SHE55P06UC

24" Evolution 500 Series

Dishwasher



* 600
without decor strips Measurements in mm



*23 5/8"
without decor strips in inch

Features

| | |
|---|-------------------------------------|
| UPC code | 825225878568 |
| Main color of product | Black |
| Installation Type | Build-under |
| Panel ready | Not possible |
| Alternative colors available | SHE55P02UC, SHE55P05UC |
| Silence level (dBA) | 47 |
| Watts (W) | 1400 |
| Current (A) | 12 |
| Volts (V) | 120 |
| Frequency (Hz) | 60 |
| Total annual energy consumption (kWh) | 259 |
| Energy Star® qualified | Yes |
| Plug type | Fixed connection |
| Power cord length (in) | |
| Length outlet hose (in) | 150 " |
| Length inlet hose (in) | |
| Required cutout size (HxWxD) (in) | 33 15/16" - 35" x 24 " x 24 " |
| Overall appliance dimensions (HxWxD) (in) | 33 7/8 " x 23 9/16 " x 22 9/16 " |
| Product packaging dimensions (HxWxD) (in) | 36.61 x 26.37 x 25.98 |
| Net weight (lbs) | 94 |
| Gross weight (lbs) | 105 |
| Adjustable feet | Yes |
| Tube material | Stainless steel |
| Tube type | TALLTUB |
| ADA Compliant | No |
| Number of place settings | 14 |

Technical Specification

| | |
|---------------------------|--------------------------|
| Leak Protection System | AQUASTOP |
| ChildLock | Button suspension |
| Water softener | No |
| Top basket type | 500 |
| Adjustable upper rack | Rackmatic |
| Shelf Racks in Top Basket | 2 |
| Upper rack cup shelf | |
| Bottom basket type | 500 |
| Bottom basket Inserts | |
| 3rd Rack | no |
| Silverware basket | Standard |
| Optional accessories | SGZ1010UC, SGZ1052UC, |

Notes: All height, width and depth dimensions are shown in inches. *Please refer to installation instructions prior to making cutout. BSH reserves the absolute and unrestricted right to change product materials and specifications, at any time, without notice. Consult the product's installation instructions for final dimensional data and other details. Applicable product warranty can be found in a accompanying product literature or you may contact your account manager for further details.

For more information on our entire line of products, go to boschappliances.com or call 1-800-944-2904.
Copyright ©2009 BSH Home Appliances Corporation. All rights reserved. Bosch is a registered trademark of Robert Bosch GmbH.

Litho Date: 08/2009

