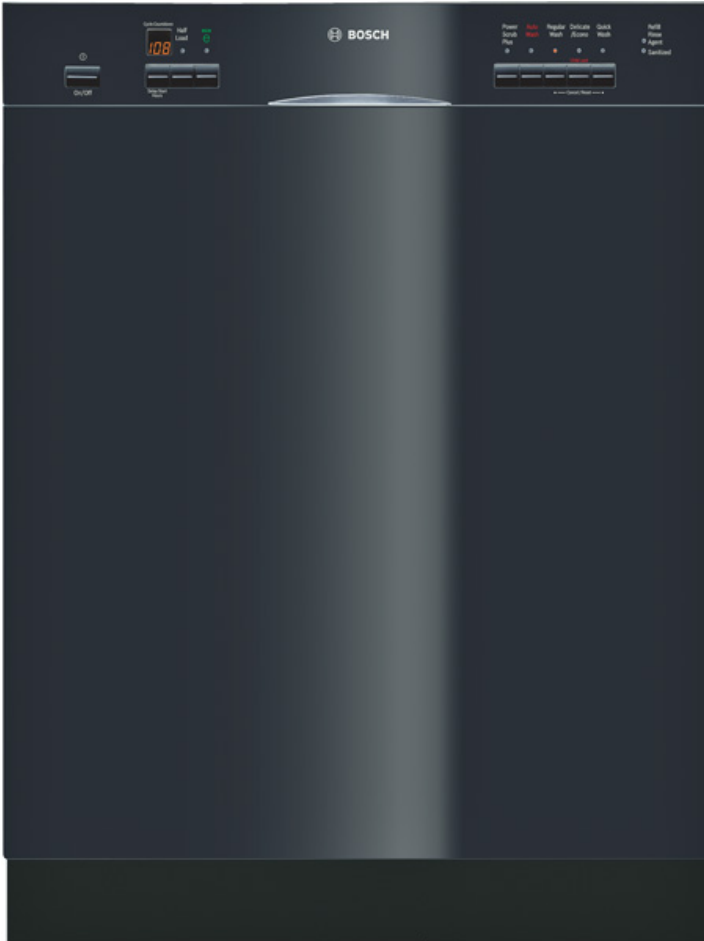


# SHE55M16UC

## 24" Evolution 500 Series

### Dishwasher



#### Features and Benefits

##### Appearance

- Stainless Steel TallTub
- 5 Wash Cycles and 3 Options

##### Quietness

- Virtually Silent: 47 dBA
- Two Pumps Minimize Noise & Vibration
- Solid Base Contains Sound & Prevents Leaks

##### Efficiency

- 259 kwh/yr - Energy Star®
- Bosch Dishwashers Exceed Federal Energy Standards by up to 147%
- EcoAction™ Option Reduces Energy Usage by up to 25%
- EcoSense™ Reduces Energy Usage by up to 20%
- Half Load Option for Small Loads
- SaniDry™ Hygienic Condensation Drying
- Flow-Through Water Heater™
- Triple Filtration System

##### Safety

- AquaStop® Leak Protection
- ChildLock Prevents Unwanted Cycle Changes
- PerfectDoor™ Keeps Dishwasher Door at Angle You Want
- NSF Certified - Eliminates 99.9% of Bacteria
- Concealed Heating Element - No Melting of Plastics

##### Capacity

- 12 Place Setting Capacity



Notes: All height, width and depth dimensions are shown in inches. \*Please refer to installation instructions prior to making cutout. BSH reserves the absolute and unrestricted right to change product materials and specifications, at any time, without notice. Consult the product's installation instructions for final dimensional data and other details. Applicable product warranty can be found in a accompanying product literature or you may contact your account manager for further details.

For more information on our entire line of products, go to [boschappliances.com](http://boschappliances.com) or call 1-800-944-2904.  
Copyright ©2009 BSH Home Appliances Corporation. All rights reserved. Bosch is a registered trademark of Robert Bosch GmbH.

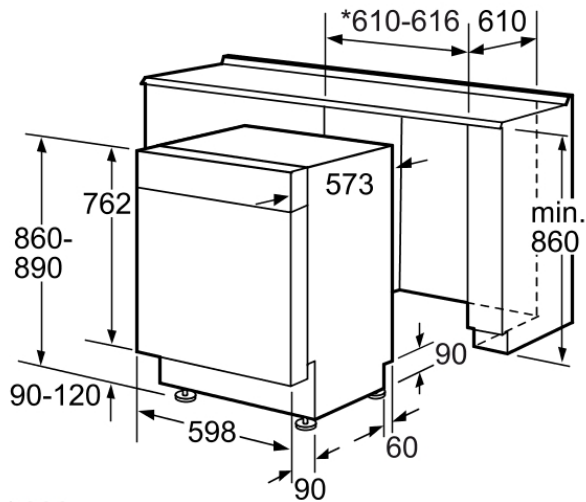
Litho Date: 08/2009



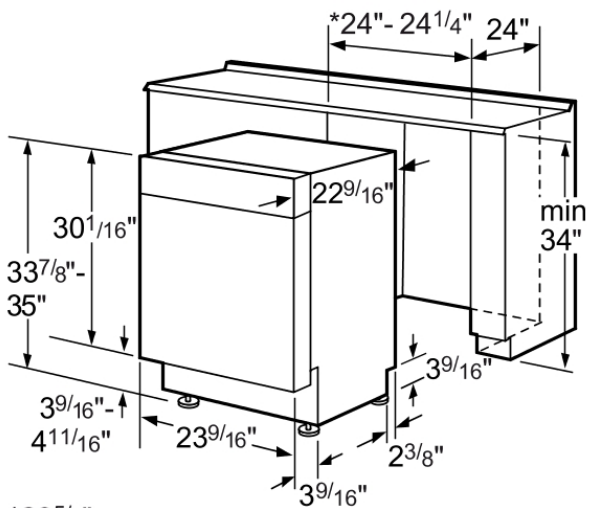
# SHE55M16UC

## 24" Evolution 500 Series

### Dishwasher



\* 600  
without decor strips      Measurements in mm



\* 23 5/8"  
without decor strips      in inch

### Features

UPC code	825225868996
Main color of product	Black
Installation Type	Build-under
Panel ready	Not possible
Alternative colors available	SHE55M12UC, SHE55M15UC
Silence level (dBA)	47
Watts (W)	1400
Current (A)	12
Volts (V)	120
Frequency (Hz)	60
Total annual energy consumption (kWh)	259
Energy Star® qualified	Yes
Plug type	Fixed connection
Power cord length (in)	
Length outlet hose (in)	150 "
Length inlet hose (in)	
Required cutout size (HxWxD) (in)	33 15/16" - 35" x 24 " x 24 "
Overall appliance dimensions (HxWxD) (in)	33 7/8 " x 23 9/16 " x 22 9/16 "
Product packaging dimensions (HxWxD) (in)	36.61 x 26.37 x 25.98
Net weight (lbs)	94
Gross weight (lbs)	105
Adjustable feet	Yes
Tube material	Stainless steel
Tube type	TALLTUB
ADA Compliant	No
Number of place settings	12

### Technical Specification

Leak Protection System	AQUASTOP
ChildLock	Button suspension
Water softener	No
Top basket type	Normal
Adjustable upper rack	Rackmatic
Shelf Racks in Top Basket	2
Upper rack cup shelf	
Bottom basket type	Tall
Bottom basket Inserts	0
3rd Rack	no
Silverware basket	Standard
Optional accessories	SGZ1000UC, SGZ1010UC, SGZ1051,

Notes: All height, width and depth dimensions are shown in inches. \*Please refer to installation instructions prior to making cutout. BSH reserves the absolute and unrestricted right to change product materials and specifications, at any time, without notice. Consult the product's installation instructions for final dimensional data and other details. Applicable product warranty can be found in a accompanying product literature or you may contact your account manager for further details.

For more information on our entire line of products, go to [boschappliances.com](http://boschappliances.com) or call 1-800-944-2904.  
Copyright ©2009 BSH Home Appliances Corporation. All rights reserved. Bosch is a registered trademark of Robert Bosch GmbH.

Litho Date: 08/2009

