

# EVOLUTION™ 500 Series SHE55M0\_UC

## Dishwasher Spec Sheet



**BOSCH**

Invented for life



**SHE55M05UC**

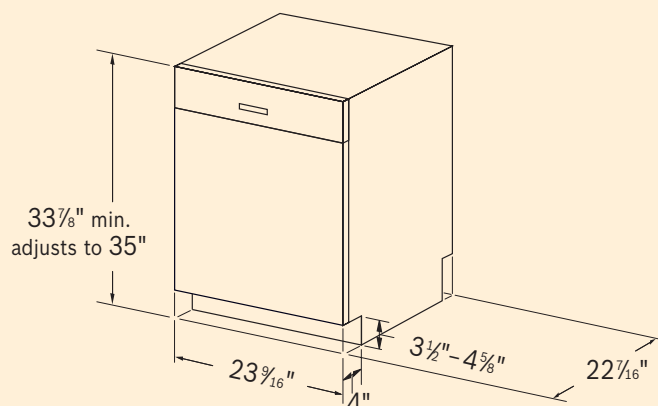


J.D. Power and Associates ranked Bosch "Highest in Customer Satisfaction with Dishwashers."

### Features & Benefits

- Visible Control Panel
- 5 Wash Cycles and 3 Options
- Stainless Steel TALLTUB
- ECOSENSE™ Wash Management System
- AQUASTOP® Leak Protection
- Level Dishwasher From Front

### Dimensions:\*



### SHE55M0\_UC

Type	Dishwasher
Color Options	
Black	SHE55M06UC
White	SHE55M02UC
Stainless Steel	SHE55M05UC
Fascia Panel Color	Painted Stainless Steel
Stainless Steel TALLTUB	•
Two-Pump Motor System	•
Suspension Motor	•
Triple Filtration System	•
Flow-Through Water Heater	•
Five Level Wash	•
Condensation Drying	•
Nylon Coated Racks	•
NSF Certified Cycles	•
Electronic Controls	•
Silence Rating	48 dBA
Wash Cycles	5
Power Scrub Plus	•
Regular Wash	•
Auto Wash	•
Delicate Wash	•
Quick Wash	30 Minutes
Options	3
Half Load Option	•
Delay Start Option	1-19 Hours
ECOACTION™	•
ECOSENSE™	•
Upper Rack	Platinum Mid
Adjustability	RACKMATIC®
Flip Tines Upper Rack	2 Half Flip Down Rows
Cup Shelves	2
Lower Rack	Platinum Mid
Flip Tines Lower Rack	4 Half-Flip Down Rows
Silverware Basket	Flexible
Silverware Basket Cover	Yes
Place Setting Capacity	14
Remaining Time	•
Multi-Function LED	•
Sanitized Indicator Light	•
Rinse Aid Indicator Light	•
AQUASTOP® Leak Protection	•
CHILDLOCK	Control
OPTIDRY	•
Est. Yearly Energy Consumption	259 kWh
ENERGY STAR® Qualified	•
Maximum Amp Draw	12A
Power Requirements	120V AC, 60Hz, 15A
Cutout (HxWxD)	34" x 24" x 22 1/16"
Level Rear Legs From Front	•
Power Cord Accessory Available	•



Dishwashers are UL approved. Notes: All height, width and depth dimensions are shown in inches. \*Please refer to installation instructions prior to making cutout. BSH reserves the absolute and unrestricted right to change product materials and specifications, at any time, without notice. Consult the product's installation instructions for final dimensional data and other details. Applicable product warranty can be found in accompanying product literature or you may contact your account manager for further details.

Bosch received the highest numerical score with dishwashers in the proprietary J.D. Power and Associates 2006 Major Home Appliance Study<sup>SM</sup>. Study based on 12,656 total responses measuring 11 brands and measures opinions of consumers during the previous 24 months. Proprietary study results are based on experiences and perceptions of consumers surveyed in July and September 2006. Your experiences may vary. Visit [jdpower.com](http://jdpower.com).

For more information on our entire line of products, go to [boschappliances.com](http://boschappliances.com) or call 1-800-944-2904.

Copyright ©2007 BSH Home Appliances Corporation. All rights reserved. Bosch is a registered trademark of Robert Bosch GmbH.

