

Ascenta Dishwasher SHE4AM0xUC

Dishwasher Spec Sheet



BOSCH

Invented for life

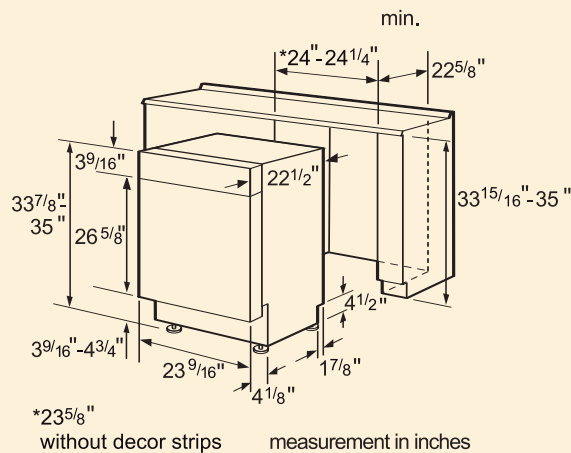


SHE4AM05UC

Features & Benefits

- Visible Control Panel
- 4 Wash Cycles and 1 Option
- **ECOSENSE™** Wash Management System

Dimensions:



SHE4AM0_UC

Type	Dishwasher
Color Options	
Black	SHE4AM06UC
White	SHE4AM02UC
Stainless Steel w/black control	SHE4AM05UC
Control Panel Style	Visible
Stainless Steel TALLTUB with *PP	•
Two-Pump Motor System	•
Suspension Motor	•
Triple Filtration System	•
Flow-Through Water Heater	•
Five Level Wash	•
Condensation Drying	•
Nylon Coated Racks	•
NSF Certified Cycles	•
Electronic Controls	•
Silence Rating	57 dBA
Wash Cycles	4
Power Scrub Plus	•
Regular Wash	•
QUICKWASH	•
Rinse & Hold	•
Option	1
Delay Start Option	3-6-9 Hrs
ECOSENSE™	•
Upper Rack	Standard
Flip Tines	1 Half Flip-Down Row
Lower Rack	Standard
Silverware Basket	Standard
Silverware Basket Cover	•
Place Setting Capacity	12
LED	•
Sanitized Indicator Light	•
Rinse Aid Indicator Light	•
Overflow Protection	•
CHILDLCK	Control
Est. Yearly Energy Consumption	300 kWh/y
ENERGY STAR® Qualified	•
Maximum Amp Draw	12A
Power Requirements	120V AC, 60Hz, 15A
Cutout (HxWxD)	34" x 24" x 22 1/2"
Power Cord Accessory Available	•

*PP = polypropylene base

Notes: All height, width and depth dimensions are shown in inches. *Please refer to installation instructions prior to making cutout. BSH reserves the absolute and unrestricted right to change product materials and specifications, at any time, without notice. Consult the product's installation instructions for final dimensional data and other details. Applicable product warranty can be found in accompanying product literature or you may contact your account manager for further details.

For more information on our entire line of products, go to boschappliances.com or call 1-800-944-2904.

Copyright ©2007 BSH Home Appliances Corporation. All rights reserved. Bosch is a registered trademark of Robert Bosch GmbH.

