

# INTEGRA® Special Application SGV45E0\_UC

## Dishwasher Spec Sheet



**SGV45E03UC**



**SGVE4503UC with  
SGZ2055UC**

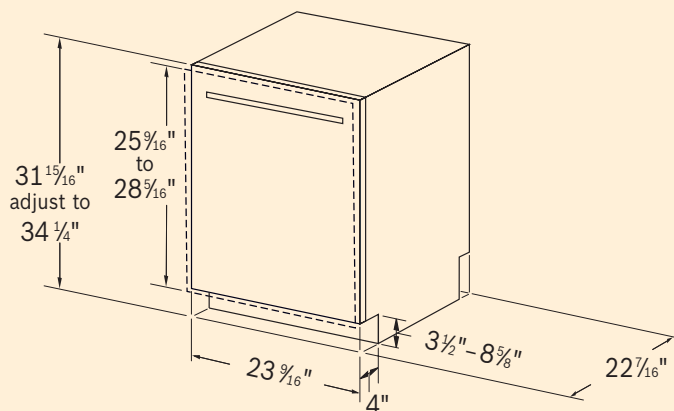


J.D. Power and Associates ranked Bosch  
"Highest in Customer Satisfaction  
with Dishwashers."

### Features & Benefits

- Concealed Control Panel
- 4 Wash Cycles and 2 Options
- Stainless Steel EURO TUB
- ECOSENSE™ Wash Management System
- AQUASTOP® Leak Protection
- European Countertop Height / ADA Compliant
- Level Dishwasher From Front

### Dimensions:\*



### SGV45E0\_UC

Type	Dishwasher
Color Options	
Fully Integrated	SGV45E03UC
Stainless Steel Accessory	SGZ2055UC
Door and Handle	
Fascia Panel Color	Stainless Steel
Stainless Steel EURO TUB	•
Two-Pump Motor System	•
Suspension Motor	•
Triple Filtration System	•
Flow-Through Water Heater	•
Five Level Wash	•
Condensation Drying	•
Nylon Coated Racks	•
NSF Certified Cycles	•
Electronic Controls	•
Silence Rating	46 dBA
Wash Cycles	4
Pots and Pans	•
Normal Wash	•
Delicate / Economy Wash	•
Quick Wash	30 Minutes
Options	2
<b>POWERBOOST</b> Option	•
Delay Start Option	1-19 Hours
<b>ECOSENSE</b> ™	•
Upper Rack	Premium
Adjustability	<b>RACKMATIC</b> ®
Flip Tines Upper Rack	6 Half-Flip Down Rows
Cup Shelves	2
Fine Cutlery and Silver Tray	•
Lower Rack	Premium
Flip Tines Lower Rack	4 Half-Flip Down Rows
Silverware Basket	Flexible
Silverware Basket Cover	Yes
Mezzanine Rack	•
Place Setting Capacity	10
Multi-Function LED	•
Remaining Time	•
<b>INFOLIGHT</b> ®	•
Sanitized Indicator Light	•
Rinse Aid Indicator Light	•
<b>AQUASTOP</b> ® Leak Protection	•
Tall Item Sprinkler	•
End-of-Cycle Sound	•
Est. Yearly Energy Consumption	290 kWh
ENERGY STAR® Qualified	•
ADA Compliant	•
Maximum Amp Draw	12A
Power Requirements	120V AC, 60Hz, 15A
Cutout (HxWxD)	32" x 24" x 22 7/16"
Level Rear Legs From Front	•
Power Cord Accessory Available	•



Dishwashers are UL approved. Notes: All height, width and depth dimensions are shown in inches. \*Please refer to installation instructions prior to making cutout. BSH reserves the absolute and unrestricted right to change product materials and specifications, at any time, without notice. Consult the product's installation instructions for final dimensional data and other details. Applicable product warranty can be found in accompanying product literature or you may contact your account manager for further details.

Bosch received the highest numerical score with dishwashers in the proprietary J.D. Power and Associates 2006 Major Home Appliance Study<sup>SM</sup>. Study based on 12,656 total responses measuring 11 brands and measures opinions of consumers during the previous 24 months. Proprietary study results are based on experiences and perceptions of consumers surveyed in July and September 2006. Your experiences may vary. Visit [jdpower.com](http://jdpower.com).

**For more information on our entire line of products, go to [boschappliances.com](http://boschappliances.com) or call 1-800-944-2904.**

Copyright ©2007 BSH Home Appliances Corporation. All rights reserved. Bosch is a registered trademark of Robert Bosch GmbH.

