



Professional Series Deluxe stainless steel double oven with electronic display.

FEATURES & BENEFITS

Metal knobs, professional handles and analog clock coordinate with Thermador's Professional Series

Graphic displays feature meat probe temperature, timer, delayed cooking and preheat monitor

Superfast preheat cycle heats oven cavity in about 7 minutes

Massive 4.7 cu. ft. oven cavity

Concealed bake element for enlarged capacity

Exclusive, dishwasher-safe, professional-quality rotisserie supports up to 12 lbs.

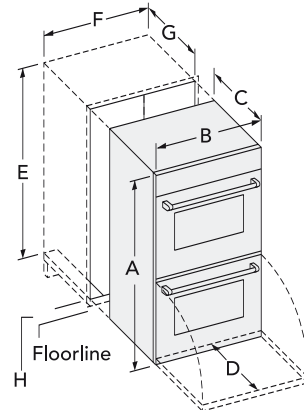
Totally recessed 5,000-watt, 12 pass MaxBroil™ element offers the most powerful and even heating

New True Convection baffle system directs heat precisely and evenly

New Speed Convection mode reduces cooking time for frozen foods up to 30%

Ball bearing full-extension telescopic rack

SKU	POD302	PODC302
Size	30"	30"
Type	Double	Double
Color - Stainless Steel	POD302	PODC302
Cavity Size*	4.7 cu. ft.	4.7 cu. ft.
Control	Professional-Style	Professional-Style
Display	Blue graphic	Blue graphic
MAIN FEATURES		
Professional Design	■	■
True Convection	Upper	Upper
Speed Convection	Upper	Upper/Lower
Rotisserie	Upper	Upper
MaxBroil	Upper	Upper
Convection Broil	Upper	Lower
Max Convection Broil	Upper	Upper
Convection Roast	Upper	Upper/Lower
Bake, Roast	Upper/Lower	Upper/Lower
Broil	Upper/Lower	Upper/Lower
Warm	Upper/Lower	Upper/Lower
Fast Preheat	Upper	Upper/Lower
Dehydrate	Upper	Upper
Meat Probe	Upper	Upper
Self-Clean	■	■
Self-Clean Rack Supports	■	■
Full Access® Telescopic Racks**	1	1
Professional-Style Racks	5	5
Porcelain Broiler Pan	■	■
Halogen Lighting Per Cavity	4	4
Concealed Bake Element	■	■



Model No.	Overall Dimensions				Cutout Dimensions***				Door Handle Projection	Dual-Rated 120/208-240V, 4 Wire, 60 Hz.	Amps
	A	B	C	D	E	F	G	H			
Professional											
POD302	51 ³ / ₄	29 ³ / ₄	23 ⁷ / ₈	22	51 ¹ / ₈	28 ¹ / ₂	24	4 ³ / ₄ min	4 ¹ / ₁₆	■	40
PODC302	51 ³ / ₄	29 ³ / ₄	23 ⁷ / ₈	22	51 ¹ / ₈	28 ¹ / ₂	24	4 ³ / ₄ min	4 ¹ / ₁₆	■	40

BSH reserves the absolute and unrestricted right to change product materials and specifications, at any time, without notice. Consult the product's installation instructions for final dimensional data and other details. Applicable product warranty can be found in accompanying product literature (or you may contact your account manager for further details). **Notes:** All height, width and depth dimensions are shown in inches. *According to AHAM standards. **Available as separate accessory TLSCPRCK30. ***Please refer to installation instructions prior to making cutout.