

**PROFESSIONAL COOKTOP 6 STAR® BURNERS  
WITH ELECTRIC GRIDDLE**

**Thermador** | *An American Icon™*



Professional Series 48" cooktop with 6 Star Burners  
(2 with ExtraLow® feature) and Electric Griddle

|   |                 |
|---|-----------------|
| SKU   | PCG486ED        |
| Size  | 48"             |
| Type  | Gas Cooktop     |
| Color   | Stainless Steel |
| <b>GENERAL INFORMATION</b>                          |                 |
| 120 Volts, 3 Prong Plug, 60 Hz<br>Single Phase A.C. | 15 Amps         |
| Fuel Type   | NG              |
| Approximate Shipping Weight (lbs.)                  | 200             |
| LP Converter Orifices                               | Order PLPKIT    |
| <b>ADDITIONAL ACCESSORIES</b>                       |                 |
| 12" Low Back Guard                                  | GPS48LBS        |
| Island Trim   | GPS48ITS        |
| Griddle Cover                                       | PC12CVR         |
| Griddle Pan on top of Burners                       | GRIDDLE         |
| 12" Chopblock                                       | PC12CHPBLK      |
| Black Knob Accessory Kit                            | KNOBBLKHC       |
| Blue Knob Accessory Kit                             | KNOBBLUHC       |

**FEATURES & BENEFITS**

3-in-1 brass Star Burner.

15,000 BTU/hr and 375 BTU/hr ExtraLow simmer-and-hold capacity.

High performance with fast time-to-boil and even heat distribution.

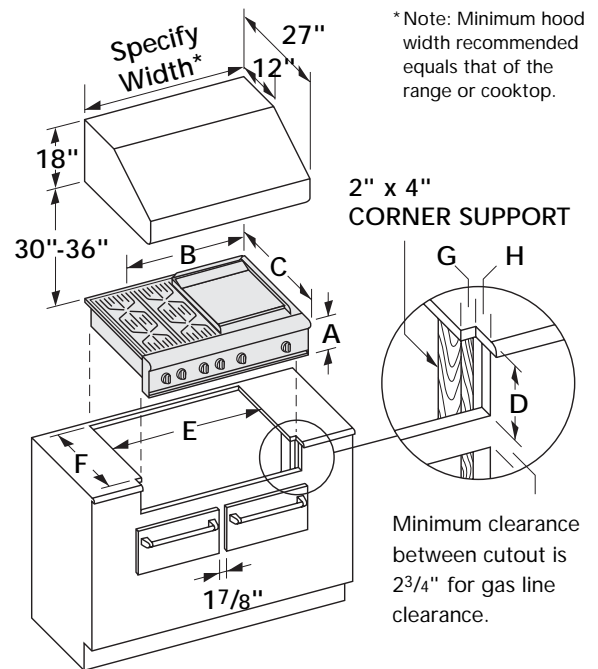
ExtraLow Feature: Our ExtraLow feature simmers without scorching. Perfect for delicate sauces.

Lighter, continuous porcelain-coated cast-iron grates increase air flow and are easier to clean despite its large size.

Thermador's exclusive blue LED lights indicate burner use

Our 12" electric griddle is available on this series that provides 1 grease capture tray is easy to clean and dishwasher safe.

Multiple configurations: Customize your cooktop to suit your cooking style, available in configurations featuring titanium-surface, rust-proof and non-stick electric griddle or gas grill.



| Model No. | BTU/hr<br>Max. | Overall Dimensions            |                                |                                | Cutout Dimensions**             |                                |                                  |                                 |   |
|-----------|----------------|-------------------------------|--------------------------------|--------------------------------|---------------------------------|--------------------------------|----------------------------------|---------------------------------|---|
|           |                | A                             | B                              | C                              | D                               | E                              | F (min.)                         | G                               | H |
| PCG486ED  | 90,000         | 8 <sup>1</sup> / <sub>8</sub> | 47 <sup>7</sup> / <sub>8</sub> | 26 <sup>1</sup> / <sub>2</sub> | 71 <sup>3</sup> / <sub>16</sub> | 46 <sup>1</sup> / <sub>4</sub> | 22 <sup>11</sup> / <sub>16</sub> | 13 <sup>1</sup> / <sub>16</sub> | 2 |

BSH reserves the absolute and unrestricted right to change product materials and specifications, at any time, without notice. Consult the product's installation instructions for final dimensional data and other details. Applicable product warranty can be found in accompanying product literature (or you may contact your account manager for further details). Notes: All height, width and depth dimensions are shown in inches. \*According to AHAM standards. \*\*Please refer to installation instructions prior to making cutout.

1 800 735 4328 | WWW.THERMADOR.COM | 5551 MCFADDEN AVENUE, HUNTINGTON BEACH, CA 92649