

**PROFESSIONAL COOKTOP 4 STAR® BURNERS
WITH ELECTRIC GRIDDLE & GAS GRILL**

Thermador | An American Icon™



Professional Series 48" cooktop with 4 Star Burners (2 with ExtraLow® feature), Electric Griddle and Gas Grill

SKU	PCG484EC
Size	48"
Type	Gas Cooktop
Color	Stainless Steel
GENERAL INFORMATION	
220 Volts, 3 Prong Plug, 60 Hz Single Phase A.C.	15 Amps
Fuel Type	NG
Approximate Shipping Weight (lbs.)	220
LP Converter Orifices	Order PLPKIT
ADDITIONAL ACCESSORIES	
12" Low Back Guard	GPS48LBS
Island Trim	GPS48ITS
12" Chopblock	PC12CHPBLK
24" Grill/Griddle Cover	PC24CVRGE
Griddle Pan on top of Burners	GRIDDLE
Black Knob Accessory Kit	KNOBBLKHC
Blue Knob Accessory Kit	KNOBBLUHC

FEATURES & BENEFITS

3-in-1 brass Star Burner.

15,000 BTU/hr and 375 BTU/hr ExtraLow simmer-and-hold capacity.

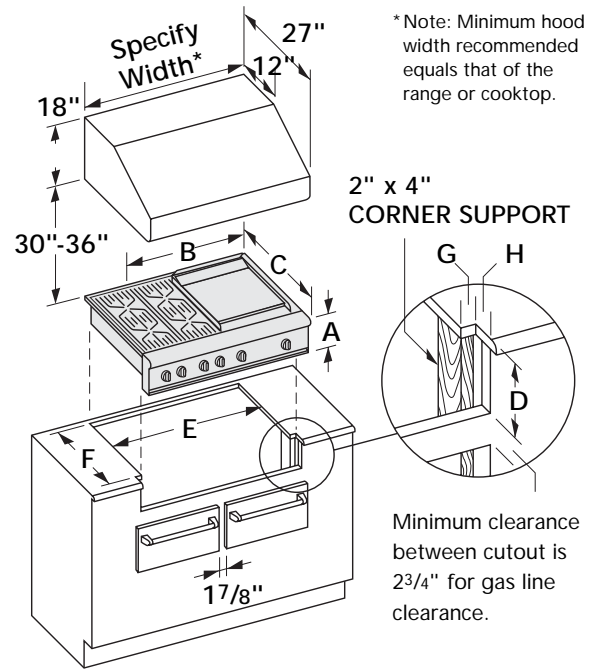
High performance with fast time-to-boil and even heat distribution.

ExtraLow Feature: Our ExtraLow feature simmers without scorching. Perfect for delicate sauces.

Lighter, continuous porcelain-coated cast-iron grates increase air flow and are easier to clean despite its large size.

Thermador's exclusive blue LED lights indicate burner use.

Our 12" electric griddle is available on this series that provides 1 grease capture tray, is easy to clean and dishwasher safe. Our non-stick, non-rust, gas grill delivers outdoor barbecue performance with indoor convenience.



Model No.	BTU/hr Max.	Overall Dimensions			Cutout Dimensions**				
		A	B	C	D	E	F (min.)	G	H
PCG484EC	72,000	8 ¹ / ₈	47 ⁷ / ₈	26 ¹ / ₂	7 ¹³ / ₁₆	46 ¹ / ₄	22 ¹¹ / ₁₆	13 ¹ / ₁₆	2

BSH reserves the absolute and unrestricted right to change product materials and specifications, at any time, without notice. Consult the product's installation instructions for final dimensional data and other details. Applicable product warranty can be found in accompanying product literature (or you may contact your account manager for further details). Notes: All height, width and depth dimensions are shown in inches. *According to AHAM standards. **Please refer to installation instructions prior to making cutout.

1 800 735 4328 | WWW.THERMADOR.COM | 5551 MCFADDEN AVENUE, HUNTINGTON BEACH, CA 92649