

PROFESSIONAL COOKTOP 6 STAR® BURNERS



Professional Series 36" cooktop with 6 Star Burners  
(2 with ExtraLow® feature)

SKU	PCG366E
Size	36"
Type	Gas Cooktop
Color	Stainless Steel
<b>GENERAL INFORMATION</b>	
120 Volts, 3 Prong Plug, 60 Hz Single Phase A.C.	15 Amps
Fuel Type	NG
Approximate Shipping Weight (lbs.)	150
LP Converter Orifices	Order PLPKIT
<b>ADDITIONAL ACCESSORIES</b>	
12" Low Back Guard	GPS36LBS
Island Trim	GPS36ITS
Griddle Pan on top of Burners	GRIDDLE
Black Knob Accessory Kit	KNOBBLKHC
Blue Knob Accessory Kit	KNOBBLUHC

FEATURES & BENEFITS

3-in-1 brass Star Burner.

15,000 BTU/hr and 375 BTU/hr ExtraLow simmer-and-hold capacity.

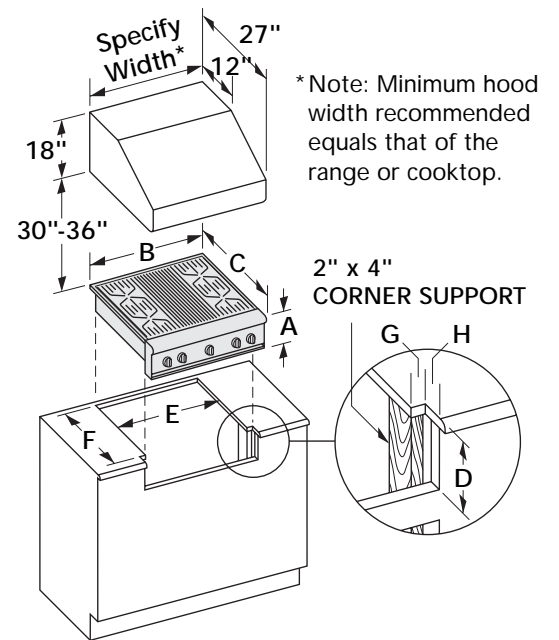
High performance with fast time-to-boil and even heat distribution

ExtraLow Feature: Our ExtraLow feature simmers without scorching. Perfect for delicate sauces.

Lighter, continuous porcelain-coated cast-iron grates increase air flow and are easier to clean.

Thermador's exclusive blue LED lights indicate burner use.

Multiple configurations: Customize your cooktop to suit your cooking style, available in configurations featuring titanium-surface, rust-proof and non-stick electric griddle or gas grill.



Model No.	BTU/hr Max.	Overall Dimensions			Cutout Dimensions**				
		A	B	C	D	E	F (min.)	G	H
PCG366E	90,000	8 <sup>1</sup> / <sub>8</sub>	35 <sup>7</sup> / <sub>8</sub>	26 <sup>1</sup> / <sub>2</sub>	7 <sup>13</sup> / <sub>16</sub>	35 <sup>1</sup> / <sub>8</sub>	22 <sup>11</sup> / <sub>16</sub>	3 <sup>3</sup> / <sub>8</sub>	2

BSH reserves the absolute and unrestricted right to change product materials and specifications, at any time, without notice. Consult the product's installation instructions for final dimensional data and other details. Applicable product warranty can be found in accompanying product literature (or you may contact your account manager for further details). Notes: All height, width and depth dimensions are shown in inches. \*According to AHAM standards. \*\*Please refer to installation instructions prior to making cutout.