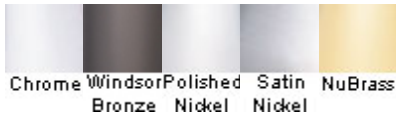


Little Butler LB-1000 Series



Chrome Windsor Bronze Polished Nickel Satin Nickel NuBrass

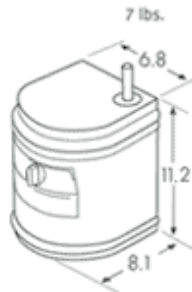
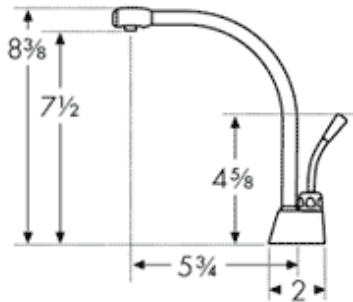
more Franke choices...



[LB-2000 Series](#)



[FRX02](#)



Heating Tank (HT-200)

Stainless steel tank (1/2 gallon) 60-cup/hr. recovery rate. 780 watt element (8.3 Amps.)
Required for all The Little Butler™ Series faucets.



LB-1000 Series

Instant Hot dispenses up to 60 cups of 190 degree water per hour for instant beverages, thawing, and mixing. Available in Chrome, Chrome/NuBrass, Windsor Bronze, Polished Nickel, Satin Nickel, Satin Nickel/NuBrass, and NuBrass.



Heating Tank / HT-200 (shown right)

Stainless steel tank (1/2 gallon) 60-cup/hr. recovery rate.
 780 watt element (8.3 Amps.)
 Required for all The Little Butler™ Series faucets.

Faucet Hole Size: 1 3/8

LB-1000: Chrome

LB-1009: Chrome/NuBrass

LB-1060: Windsor Bronze

LB-1070: Polished Nickel

LB-1080: Satin Nickel

LB-1089: Satin Nickel/NuBrass

LB-1090: NuBrass