

Integra 700 Series HEI7xx2U

Slide-in Range Spec Sheet



BOSCH

Invented for life

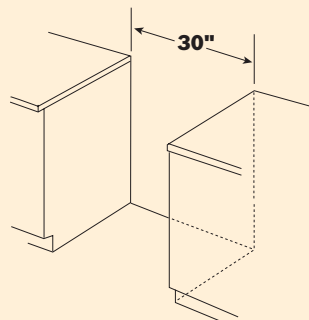
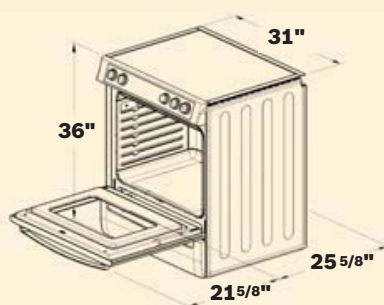


HEI7282U

Features & Benefits

- 4.6 Cubic Feet Capacity – Largest in Category*
- 12" Triple Zone Element
- Genuine European Convection w/ ACS
- **CLEARTOUCH**® Glass Panel
- Full Extension Telescopic Rack
- **TOUCH & TURN**® Electronic Oven Control
- Extra-wide, Full Extension Warming Drawer

Dimensions:



| Type | Slide-in Range |
|---------------------|-----------------|
| Width | 30" |
| Color Options | |
| Stainless Steel | HEI7152U |
| Stainless Steel Pro | HEI7282U |
| Titanium | HEI7132U |

Features

| | |
|--|------------|
| Touch & Turn® Oven Control | • |
| Bake | • |
| Broil | • |
| Automatic Convection Bake | • |
| Convection Broil | • |
| Convection Roast | • |
| Convection Conversion | • |
| Dehydrate | • |
| Keep Warm Oven Mode | • |
| Sabbath Mode | • |
| Proof | • |
| Temperature Probe | • |
| Genuine European Convection (with Third Heating Element) | • |
| Advanced Circulation System (ACS) | • |
| Cavity Volume (Largest in Slide-in Range category)* | 4.6 cu.ft. |
| True Hidden Bake Element | • |
| 40W Incandescent Lights | 2 |
| Convection Assisted Self-Cleaning Oven | • |
| Larger Surface Area Racks (#) | 2 |
| Telescopic Racks | 1 |
| Rear Filler Strip Included | • |
| Standard Broiler Pan | • |
| Broil Wattage | 3600 |
| Bake Wattage | 2000 |
| Third Element Wattage | 1100 |

Lower Drawer

| | |
|---------------------------------|---|
| Warming Drawer (full extension) | • |
| WD Sabbath Mode | • |

Cooktop – Electric

| | |
|------------------------------------|----|
| 12"/9"/6" Triple Element (2700W) | RF |
| 5"/8" Dual Element (1900W) | LR |
| 6" Single Element (1500W) | LF |
| 6" Single Element (1200W) | RR |
| Stainless Steel Cooktop Frame | • |
| Nickel Finish Knobs | • |
| Full Stainless Steel Control Panel | • |

Technical

| | |
|--|-----------|
| Dual-Rated 208/240 volts, 4-wire 60 Hz | • |
| Amps | 40 |
| Approvals | US/Canada |



All ranges are CSA approved. Notes: All height, width and depth dimensions are shown in inches. Please refer to installation instructions prior to making cutout. BSH reserves the absolute and unrestricted right to change product materials and specifications, at any time, without notice. Consult the product's installation instructions for final dimensional data and other details. Applicable product warranty can be found in accompanying product literature or you may contact your account manager for further details.

*Dimensions based on AHAM Measurement Standards.

For more information on our entire line of products, go to boschappliances.com or call 1.800.944.2904.

Copyright ©2007 BSH Home Appliances Corporation. All rights reserved. Bosch is a registered trademark of Robert Bosch GmbH.