

Integra 700 Series HEI70x2U

Slide-in Range Spec Sheet



BOSCH

Invented for life

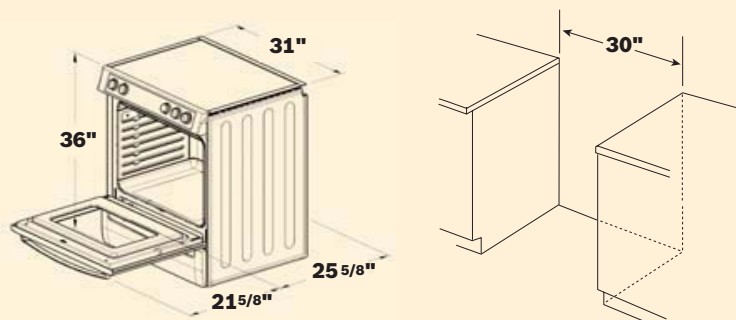


HEI7032U

Features & Benefits

- 4.6 Cubic Feet Capacity – Largest in Category*
- TOUCH & TURN® Electronic Oven Control
- **CLEARTOUCH®** Glass Panel
- Space Saving Half Rack
- Full Extension Telescopic Rack
- Extra-wide, Full Extension Warming Drawer

Dimensions:



| Type | Slide-in Range |
|-----------------|-----------------|
| Width | 30" |
| Color Options | |
| Stainless Steel | HEI7052U |
| Titanium | HEI7032U |

Features

| | |
|---|------------|
| Touch & Turn® Oven Control | • |
| Bake | • |
| Broil | • |
| Automatic Convection Bake | • |
| Convection Roast | • |
| Convection Conversion | • |
| Dehydrate | • |
| Keep Warm Oven Mode | • |
| Sabbath Mode | • |
| Proof | • |
| Genuine European Convection (with Third Heating Element) | • |
| Advanced Circulation System (ACS) | • |
| Cavity Volume* | |
| (Largest in Slide-in Range category) | 4.6 cu.ft. |
| True Hidden Bake Element | • |
| 40W Incandescent Lights | 2 |
| Convection Assisted Self-Cleaning Oven | • |
| Larger Surface Area Racks (#) | 2 |
| Space Saving Half Rack | 1 |
| Rear Filler Strip Included | • |
| Standard Broiler Pan | • |
| Broil Wattage | 3600 |
| Bake Wattage | 2000 |
| Third Element Wattage | 1100 |

Lower Drawer

| | |
|---------------------------------|---|
| Storage Drawer (full extension) | • |
|---------------------------------|---|

Cooktop – Electric

| | |
|----------------------------------|----------------|
| 5"/7"/9" Triple Element (2500 W) | RF |
| 6" Single Element (1200 W) | RR |
| 7" Single Element (1800 W) | LF, LR |
| Bridge Element | • |
| True White Cooktop | Titanium Model |

Technical

| | |
|--|-----------|
| Dual-Rated 208/240 volts, 4-wire 60 Hz | • |
| Amps | 40 |
| Approvals | US/Canada |



All ranges are CSA approved. Notes: All height, width and depth dimensions are shown in inches. Please refer to installation instructions prior to making cutout. BSH reserves the absolute and unrestricted right to change product materials and specifications, at any time, without notice. Consult the product's installation instructions for final dimensional data and other details. Applicable product warranty can be found in accompanying product literature or you may contact your account manager for further details.

*Dimensions based on AHAM Measurement Standards.

For more information on our entire line of products, go to boschappliances.com or call 1.800.944.2904.

Copyright ©2007 BSH Home Appliances Corporation. All rights reserved. Bosch is a registered trademark of Robert Bosch GmbH.