

# Integra 700 Series HDI70x2U

## Slide-in Range Spec Sheet

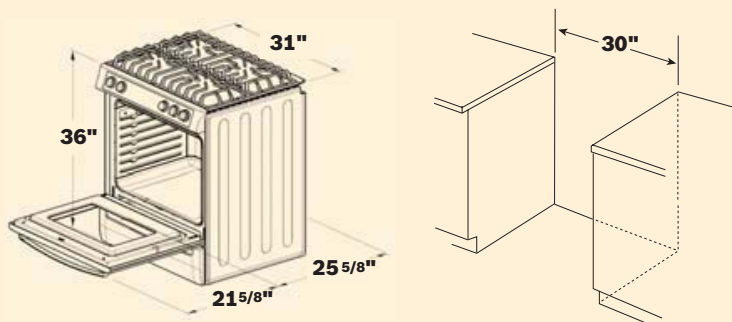


HDI7052

### Features & Benefits

- 4.6 Cubic Feet Capacity – Largest in Category\*
- Genuine European Convection™ w/ ACS
- 16K BTU **POWERSIM**® Burner and One **OPTISIM**™ Burner for Extra-Low Simmering
- **CLEARTOUCH**® Glass Panel
- Space Saving Half Rack
- **TOUCH & TURN**™ Electronic Oven Control

### Dimensions:



Type	Slide-in Range
Width	30"
Color Options	
Stainless steel	<b>HDI7052</b>
Titanium	<b>HDI7032</b>

### Features

Touch & Turn® Oven Control	•
Bake	•
Broil	•
Automatic Convection Bake	•
Convection Roast	•
Convection Conversion	•
Dehydrate	•
Keep Warm Oven Mode	•
Sabbath Mode	•
Proof	•
Genuine European Convection (with Third Heating Element)	•
Advanced Circulation System (ACS)	•
Cavity Volume	
(Largest in Slide-in Range category*)	4.6 cu.ft.
True Hidden Bake Element	•
40W Incandescent Lights	2
Convection Assisted Self-Cleaning Oven	•
Larger Surface Area Racks (#)	2
Space Saving Half Rack	1
Standard Broiler Pan	•
Rear Filler Strip	Included
Broil Wattage	3600
Bake Wattage	2000
Third Element Wattage	1100

### Lower Drawer

Storage Drawer (full extension)	•
---------------------------------	---

### Cooktop – Gas

Pro-style Continuous Matte Grates	•
Gas on Glass Cooktop Design	•
<b>POWERSIM</b> ® Burners (# of)	1
<b>OPTISIM</b> ™ Burner (# of)	1
BTU / RF Burner	1,300–16,000
BTU / RR Burner	800–5,500
BTU / LF Burner	1,300–12,500
BTU / LR Burner	1,300–12,500
Sealed Burner	•
Stainless Steel Cooktop Frame	•

### Technical

Dual-Rated 208/240 volts, 4-wire 60 Hz	•
Amps	30
Approvals	US/Canada
Natural / LP Gas Convertible	•



All ranges are CSA approved. Notes: All height, width and depth dimensions are shown in inches. Please refer to installation instructions prior to making cutout. BSH reserves the absolute and unrestricted right to change product materials and specifications, at any time, without notice. Consult the product's installation instructions for final dimensional data and other details. Applicable product warranty can be found in accompanying product literature or you may contact your account manager for further details.

\*Dimensions based on AHAM Measurement Standards.

For more information on our entire line of products, go to [boschappliances.com](http://boschappliances.com) or call 1.800.944.2904.

Copyright ©2007 BSH Home Appliances Corporation. All rights reserved. Bosch is a registered trademark of Robert Bosch GmbH.