

300 Series Ovens HBN34xUC

Oven Spec Sheet



HBN3450UC Single Oven

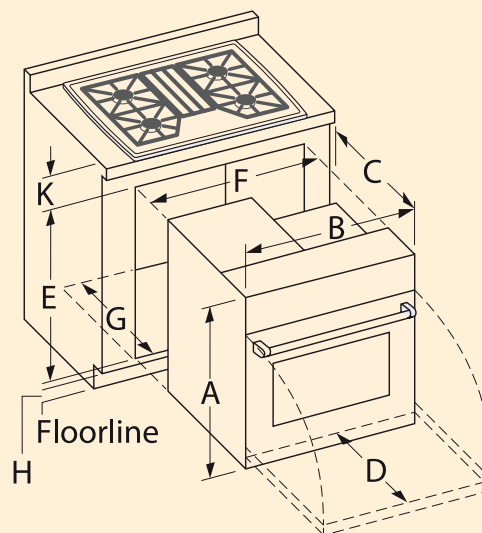
Features & Benefits

- 4.2 cu.ft. Oven Cavity - Largest in the Industry
- Convection Bake, Broil and Roast
- Knob Control Combined with Touch Control on Glass
- Safe and Efficient Two-hour Self-clean Cycle
- Concealed Bake Element and Recessed Broil Element

Type	Single Oven
Width	27"
Color Options	
Stainless Steel	HBN3450UC
Black	HBN3460UC
White	HBN3420UC

Main Oven Features	
Oven Cavity Size	4.2 cu.ft.*
Oven Control	Knobs with Glass Touch Control
Display	Amber
Heating Modes	12
Convection Bake, Broil, Roast	•
Bake, Broil, Roast	•
Fast Preheat	•
Meat Probe	
Self-Clean Mode	2-Hour Cycle
Panel Lock	
Telescopic Racks	
Standard Racks	3
Porcelain Broiler Pan	•
Cavity Lighting	1
Concealed Bake Element	•
Recessed Broil Element	•
Dual-Rated, 120/208-240V, 4 Wire, 60 Hz	•
Amps	30

30" single oven		Overall Dimensions	
A		29 1/16"	
B		26 3/4"	
C		23 7/8"	
D		22"	
Door Handle Projection		3"	
		Cutout Dimensions	
E		28 1/4"	
F		25 1/2"	
G		24"	
H		4 3/4" min.	
K		3"	



Oven is UL approved. Notes: All height, width and depth dimensions are shown in inches. Please refer to installation instructions prior to making cutout. BSH reserves the absolute and unrestricted right to change product materials and specifications, at any time, without notice. Consult the product's installation instructions for final dimensional data and other details. Applicable product warranty can be found in accompanying product literature or you may contact your account manager for further details. *According to AHAM standards.

For more information on our entire line of products, go to boschappliances.com or call 1.800.944.2904.

Copyright ©2007 BSH Home Appliances Corporation. All rights reserved. Bosch is a registered trademark of Robert Bosch GmbH.