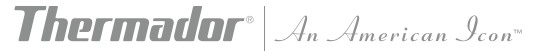


MASTERPIECE SERIES DM-SERIES SINGLE OVEN



Masterpiece Series stainless steel DM single oven with CookSmart® and True Convection.

FEATURES & BENEFITS

Modern styling coordinates with other Masterpiece Collection products

CookSmart takes away the guesswork by automatically determining cooking temperature, power level and cooking time

Combination of true convection with microwave reduces cooking time by up to 50%

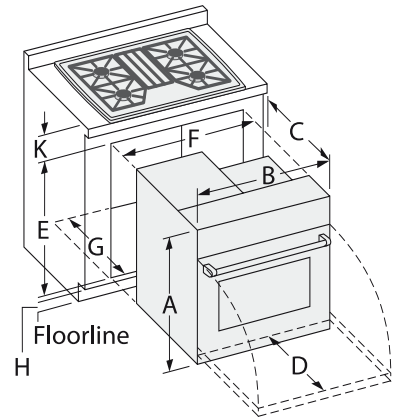
Fast preheat

Massive 4.4 cu. ft. oven cavity

Concealed bake element for enlarged capacity

Ball bearing full-extension telescopic rack

SKU	DM301E
Size	30"
Type	Single
Color-Stainless Steel	DM301ES
Color-Black	-
Color-White	-
Cavity Size*	4.4 cu. ft.
Control	Glass Touch Control
Display	Green Text
MAIN FEATURES	
Masterpiece Design	■
True Convection	■
Convection Bake, Broil, Roast	■
Bake, Broil, Roast	■
Microwave	■
Defrost	■
CookSmart	■
Proof	■
Warm	■
Fast Preheat	■
Dehydrate	■
Meat Probe	■
Sabbath Mode	■
Self-Clean	■
Self-Clean Rack Supports	■
Full Access® Telescopic Racks**	1
Professional-Style Racks	2
Porcelain Broiler Pan	■
Halogen Lighting Per Cavity	2
Concealed Bake Element	■



Model No.	Overall Dimensions				Cutout Dimensions***					Door Handle Projection	Dual-Rated 120/208-240V, 4 Wire, 60 Hz.	Amps
	A	B	C	D	E	F	G	H	K			
Masterpiece												
DM301E	28 ⁵ / ₈	29 ³ / ₄	23 ⁷ / ₈	22	28 ¹ / ₄	28 ¹ / ₂	24	4 ³ / ₄ min	3	3 ¹¹ / ₁₆	■	40

BSH reserves the absolute and unrestricted right to change product materials and specifications, at any time, without notice. Consult the product's installation instructions for final dimensional data and other details. Applicable product warranty can be found in accompanying product literature (or you may contact your account manager for further details). **Notes:** All height, width and depth dimensions are shown in inches. *According to AHAM standards. **Available as separate accessory: TLSCPRCK30" for a 30" oven and TLSCPRCK27 for a 27" oven. ***Please refer to installation instructions prior to making cutout.