

MASTERPIECE DELUXE

36" ELECTRIC COOKTOP WITH TOUCH CONTROL,
SENSOR DOME™ AND BRIDGE
CES366FS

Thermador® | *An American Icon*™

FEATURES & BENEFITS

The CookSmart® feature offers optimized, programmed cooking modes for superior cooking results.

The new Sensor Dome™ option measures the temperature of the pot. With the help of CookSmart®, the temperature is reached and maintained automatically without boilover.

Includes a bridge element with a dual element — a Thermador exclusive.

Touch controls with blue light illumination are easy to use and offer a sleek, modern design.

Newly designed control panel coordinates with a suite of Thermador Masterpiece™ Series appliances.

This cooktop is easy to clean and can be installed to fit flush with your kitchen countertop.

Thermador's triple element offers the maximum in cooking flexibility.

The Keep Warm option on every element helps you prepare multiple-course meals.



Notes: All height, width and depth dimensions are shown in inches. Solid surface countertops require special cutout size. Please refer to installation instructions prior to making cutout. Installation instructions are available at www.thermador.com.

1 800 735 4328 | WWW.THERMADOR.COM | 5551 MCFADDEN AVENUE, HUNTINGTON BEACH, CA 92649

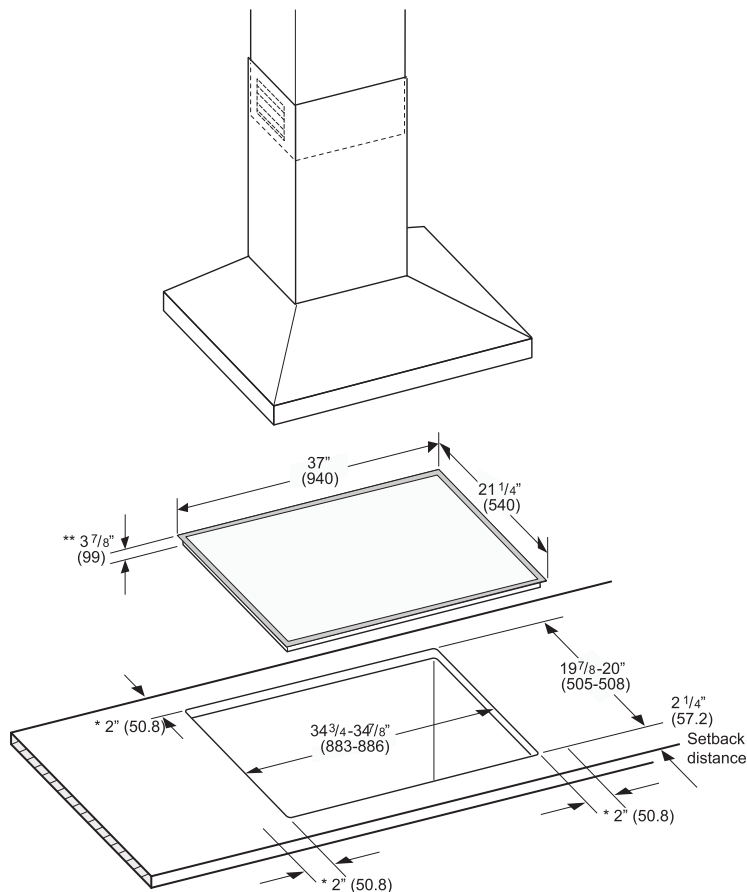
©2008 BSH HOME APPLIANCES CORPORATION, ALL RIGHTS RESERVED

LITHO DATE: 02/2008



MASTERPIECE DELUXE
36" ELECTRIC COOKTOP WITH TOUCH CONTROL,
SENSOR DOME™ AND BRIDGE
CES366FS

Thermador® | *An American Icon™*



* minimum distance from cutout to the wall
 ** installed depth

SKU	CES366FS
MAIN FEATURES	
Power /Amps	240 V, 3 wire, 60Hz / 50 Amps
Child Lock	Yes
Shut-Off Timer	Yes
Keep Warm Function	Yes
Number of Cooking Zones	10
Triple Elements	1
Dual Elements	2
Fast PreHeat	Yes
Sensor Dome™	2
Controls	Touch control with blue illumination
Trim Design	Full Stainless Steel frame
ELEMENT TYPE (watts)	
Front Left	1000-2200 W
Rear Left	1200 W
Center	900-1600-2500 W
Rear Right	600-1700 W
Front Right	700-1700 W
Total KW (max)	9900 W
ELEMENT SIZES (inches)	
Front Left	6"-8"
Rear Left	6"
Center	5"-7"-9"
Rear Right	7"
Front Right	5"-7"
ACCESSORIES	
Sensor Strip (12 pack)	SENSORSTRP
Sensor Pot 9", 6.7 Qt.	SENSORPOT9
Sensor Pot 6", 2.1 Qt.	SENSORPOT6
Sensor Pot 7", 4.1 Qt.	SENSORPOT7

Notes: All height, width and depth dimensions are shown in inches. Solid surface countertops require special cutout size. Please refer to installation instructions prior to making cutout. Installation instructions are available at www.thermador.com.

1 800 735 4328 | WWW.THERMADOR.COM | 5551 MCFADDEN AVENUE, HUNTINGTON BEACH, CA 92649

©2008 BSH HOME APPLIANCES CORPORATION, ALL RIGHTS RESERVED

LITHO DATE: 02/2008

