

**MASTERPIECE DELUXE**  
36" ELECTRIC COOKTOP WITH TOUCH CONTROL  
AND SENSOR DOME™  
CES365FS

**Thermador**® | *An American Icon*™

**FEATURES & BENEFITS**

The CookSmart® feature offers optimized, programmed cooking modes for superior cooking results.

The new Sensor Dome™ option measures the temperature of the pot. With the help of CookSmart®, the temperature is reached and maintained automatically without boilover.

Offers a 13" heating element — the largest, most powerful round heating element on the market.

Touch controls with blue light illumination are easy to use and offer a sleek, modern design.

Newly designed control panel coordinates with all Thermador Masterpiece™ Series appliances.

This cooktop is easy to clean and can be installed to fit flush with your kitchen countertop.

Thermador's triple element offers the maximum in cooking flexibility.

The Keep Warm option on every element helps you prepare multiple-course meals.



**Notes:** All height, width and depth dimensions are shown in inches. Solid surface countertops require special cutout size. Please refer to installation instructions prior to making cutout. Installation instructions are available at [www.thermador.com](http://www.thermador.com).

1 800 735 4328 | [WWW.THERMADOR.COM](http://WWW.THERMADOR.COM) | 5551 MCFADDEN AVENUE, HUNTINGTON BEACH, CA 92649

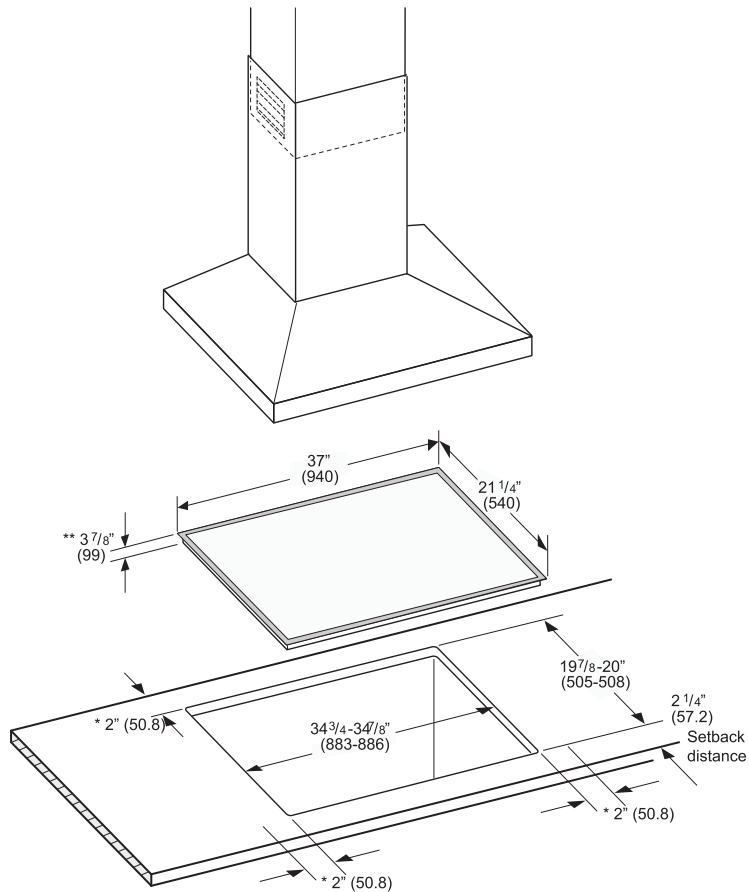
©2008 BSH HOME APPLIANCES CORPORATION, ALL RIGHTS RESERVED

LITHO DATE: 02/2008



**MASTERPIECE DELUXE**  
**36" ELECTRIC COOKTOP WITH TOUCH CONTROL**  
**AND SENSOR DOME™**  
**CES365FS**

**Thermador®** | *An American Icon™*



\* minimum distance from cutout to the wall  
 \*\* installed depth

SKU	CES365FS
<b>MAIN FEATURES</b>	
Power /Amps	240 V, 3 wire, 60Hz / 50 Amps
Child Lock	Yes
Shut-Off Timer	Yes
Keep Warm Function	Yes
Number of Cooking Zones	10
Triple Elements	1
Dual Elements	3
Fast PreHeat	Yes
Sensor Dome™	1
Controls	Touch control with blue illumination
Trim Design	Full Stainless Steel frame
<b>ELEMENT TYPE (watts)</b>	
Front Left	700-1700 W
Rear Left	700-1700 W
Center	2000-3000-4000 W
Rear Right	1200 W
Front Right	1000-2200 W
Total KW (max)	10800 W
<b>ELEMENT SIZES (inches)</b>	
Front Left	5"-7"
Rear Left	5"-7"
Center	8"-11"-13"
Rear Right	6"
Front Right	6"-8"
<b>ACCESSORIES</b>	
Sensor Strip (12 pack)	SENSORSTRP
Skillet 16" for 13" Element	SKILLET13
Sensor Pot 6", 2.1 Qt.	SENSORPOT6

**Notes:** All height, width and depth dimensions are shown in inches. Solid surface countertops require special cutout size. Please refer to installation instructions prior to making cutout. Installation instructions are available at [www.thermador.com](http://www.thermador.com).

1 800 735 4328 | [WWW.THERMADOR.COM](http://WWW.THERMADOR.COM) | 5551 MCFADDEN AVENUE, HUNTINGTON BEACH, CA 92649

©2008 BSH HOME APPLIANCES CORPORATION, ALL RIGHTS RESERVED

LITHO DATE: 02/2008

