

## SPECS / DIMENSIONS



### CEM304CB 30" CEM BLACK CERAMIC ELECTRIC MECHANICAL KNOBS COOKTOP

PRINT

#### GENERAL INFORMATION

Approximate Shipping Weight (LBS.)	35
Access. Griddle (AEGRIDDL)	✓
Front Left Element (Watts)	1200
Front Right Element (Watts)	1200
Rear Left Element (Watts)	750/2200
Rear Right Element (Watts)	750- 2200

#### TECHNICAL INFORMATION

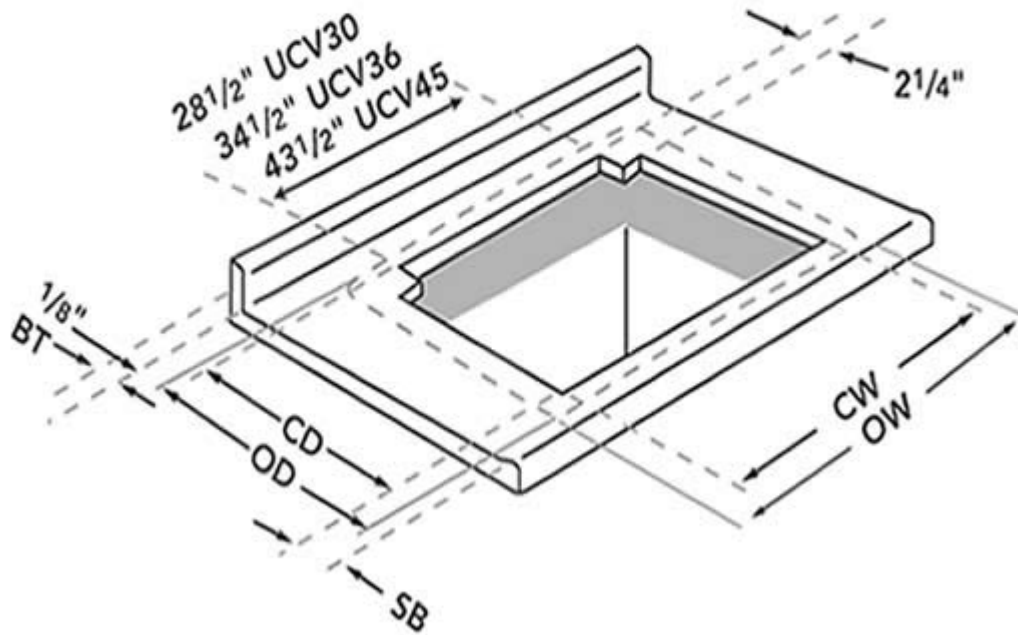
208-240 Volts, 3 Wire, 60 Hz	✓
AMPS	30

#### DIMENSIONS (INCHES)

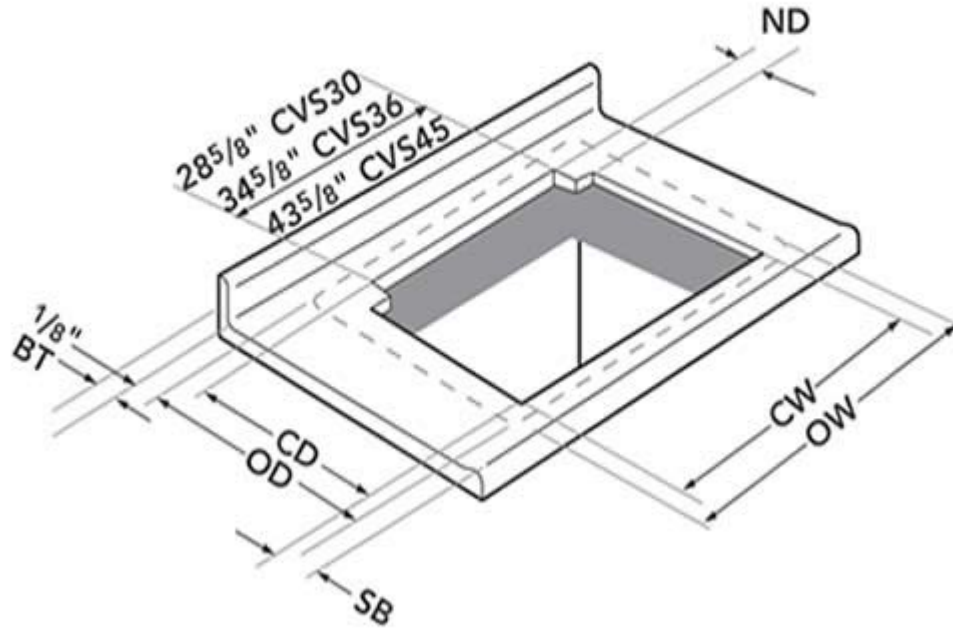
Overall Dimensions - A	31
Overall Dimensions - B	21 3/8
Overall Dimensions - C	3 5/8
Cutout Dimensions* D	28 3/4- 28 7/8
Cutout Dimensions* E	19 7/8- 20
Cutout Width (CVS Downdraft)	19 7/8- 20
Cutout Width (UCV Downdraft)	28 3/4
Cutout Depth (CVS Downdraft)	22 7/16
Cutout Depth (UCV Downdraft)	22 1/8
Overall Width (CVS Downdraft)	31
Overall Width (UCV Downdraft)	31
Overall Depth (CVS Downdraft)	23 3/4
Overall Depth (UCV Downdraft)	23 7/8
Set Back Min. (CVS Downdraft)	2 1/2
Set Back Min. (UCV Downdraft)	2 1/2

#### Diagrams

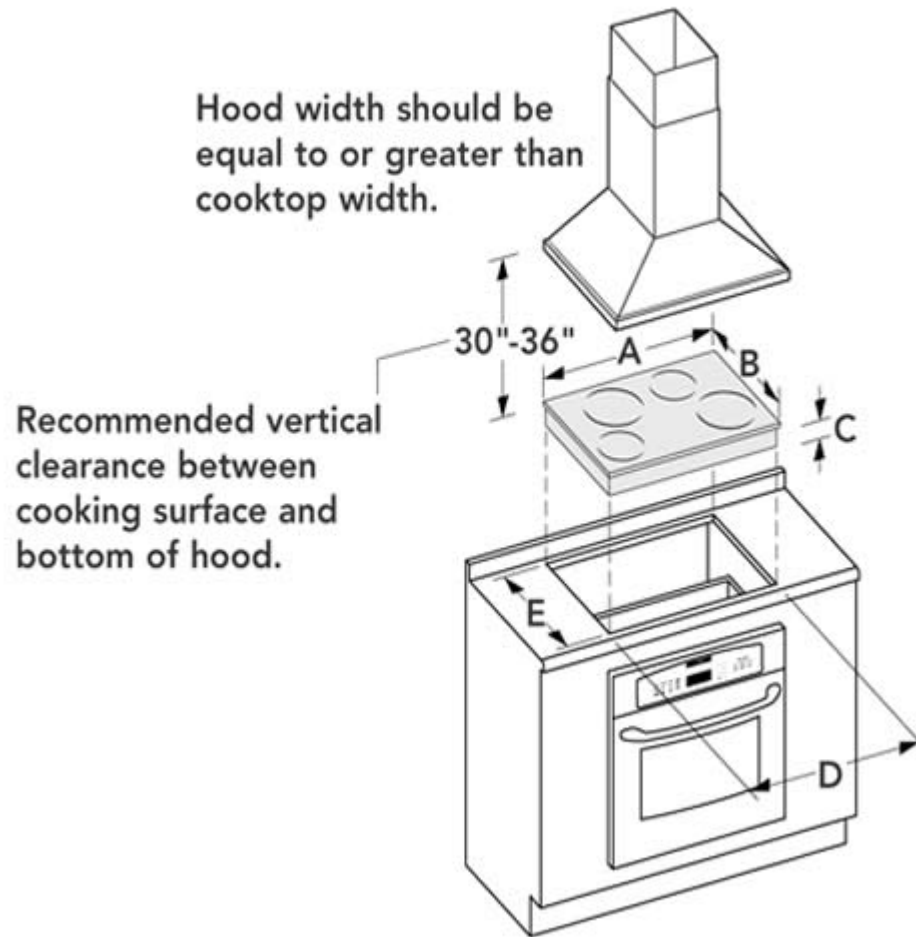
## Comprehensive Countertop Cutout with Downdraft (UCV)



## Comprehensive Countertop Cutout with Downdraft (CVS)



## Ceramic Electric Cooktop Cutout Shown with C301 Single Oven and HDW Chimney Hood



[Click Here to View Features](#)

**Note:** All heights, width and depth dimensions are shown in inches. \* Please refer to installation instructions prior to making cutout. Installation instructions are available at [www.thermador.com](http://www.thermador.com).

Countertop must be 26" wide overall for best fit. When the under cabinet measures 24" front to back (outside dimensions) it must be positioned so the countertop has a 1" overhang. \*\*"BT" (Backsplash Thickness) = 0

**Special Notes:**

The countertop must have a 25" flat area so no problems can occur with a backsplash. Important to measure it from the front edge of the countertop. All cutouts start at 2 1/2" from the front edge of the countertop.

Cooktops are UL and CUL approved with the exception of the CEM365, CEM456 and CEP456 which are UL approved only.

PRINT

CLOSE

EMAIL