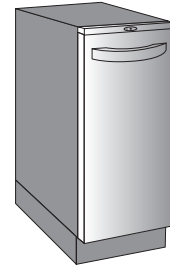


15-INCH WIDE, XE SERIES, AUTOMATIC TRASH COMPACTOR



FEATURES

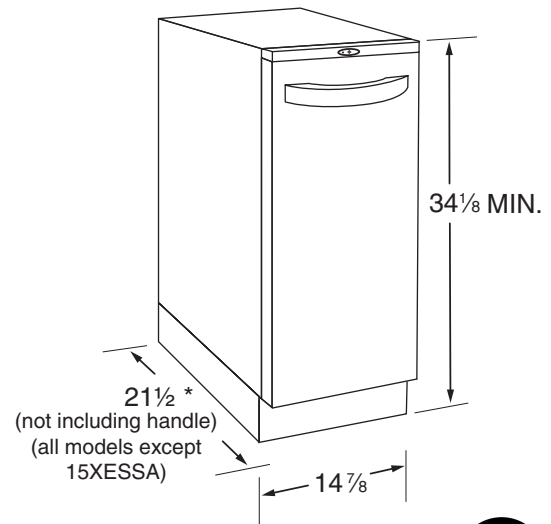
- 3000 lbs. of continual compaction force.
- ¾ horsepower motor drives dual screw compaction system.
- Dedicated 15 Amp circuit recommended.
- Six (6) to one (1) compaction ratio. Compact the equivalent of six (6) 13 gallon trash containers into one bag.
- Programmable compaction cycle for automatic compaction.
- Battery backup prevents loss of electronic settings in the event of power interruption.
- Stainless steel compacting plate with Microban®* antimicrobial protective coating designed to crush cans and bottles.
- 1.55 cubic foot bucket trash bucket holds 30 lbs. of trash.
- Trash bucket has drop down door for easy trash removal.
- Full extension ball bearing trash bucket drawer slides for smooth action.
- Start button with ram status LED.
- Removable key switch prevents unauthorized compaction.
- Safety interlock prevents compaction when door is open.
- Bag storage compartment. Unit comes with three (3) bags.
- Automatic advance odor control system with disk replacement indicator. First six (6) month disk provided with trash compactor.
- Insulated door with magnetic gasket for quiet cycling and odor control.
- Reversible doors with 170° range of motion offered in different finishes.
 - Model 15XEBL - Black door and trim
 - Model 15XEWB - White door and trim
 - Model 15XESS - Stainless steel door and stainless-look trim
 - Model 15XESSA - Arched stainless steel door and stainless-look trim
 - Model 15XEWB - Wood door kit with stainless-look trim
 - Model 15XETT - Tile door kit with stainless-look trim
- Textured cabinet features a durable baked epoxy finish in black (all models).
- Two (2) adjustable height leveling legs (front) and two (2) adjustable height rollers (rear) provide one (1) inch of height adjustment.

ACCESSORIES (purchased separately)

- Model 15TCTK - Toe kick kit (required for freestanding installations).
- Model 15TCBL – Sixty (60) trash bags (black).
- Model 15TCOD – Set of ten (10) odor control disks. Each disk lasts up to six (6) months.
- Model 15TCBB – Hardwood cutting board (rests on top of compactor when not installed under a counter top).

SPECIFICATIONS

Volts	Hz	AMPS	Capacity	Compaction	Weight
120	60	5.0	1.55 ft ³ 30 lbs.	3000 lbs 6 to 1	165 lbs (pack- aged)



* Model 15XESSA = 22 1/4



*Microban is a registered trademark of the Microban Products Company.

Broan-NuTone LLC Hartford, Wisconsin www.broan.com 800-558-1711
Broan-NuTone Canada Mississauga, Ontario www.broan.ca 877-896-1119

REFERENCE	QTY.	REMARKS	Project
			Location
			Architect
			Engineer
			Contractor
			Submitted by Date

Wood Door Panel

