

SPECS / DIMENSIONS



BICM24CS 24" FULLY AUTOMATIC BUILT-IN SAVOR® COFFEE MACHINE

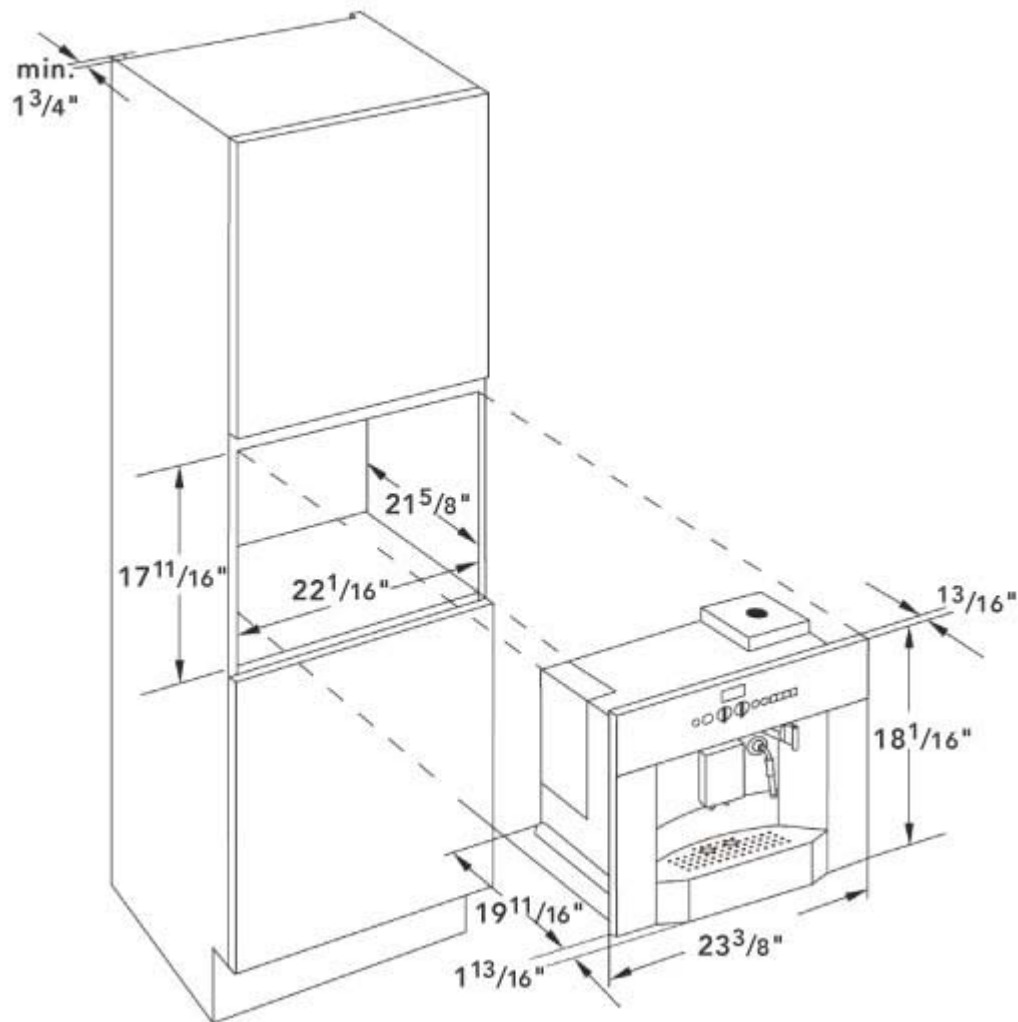
PRINT

GENERAL INFORMATION

Electrical
Approximate Shipping Weight
Water Tank

120 Volts, 60 Hz, 16 Amps
31 kg
1800 mL

Diagrams



[Click Here to View Features](#)

PRINT

CLOSE

EMAIL