

PROFESSIONAL STYLE

WP29

Elegant, seamless welded design provides a flawless appearance, and 304 stainless steel gives lasting quality

Deep hood enclosure for excellent smoke and odor capture, and a specially coated silver-ion stainless steel bottom cleans up effortlessly

Hood is available in both 24" and 27" depths

Powerful, quiet internal and external blowers, HVI certified performance

Flexible design allows blowers to exhaust through the top or back of the hood (ducted application only)

Evolution baffle filters are combined with the efficiency of mesh for the ultimate in filtration

Halogen lamps deliver brilliant surface lighting

Concealed, infinitely adjustable controls remember the last setting

Heat Sentry™ detects excessive heat and adjusts speed to high automatically

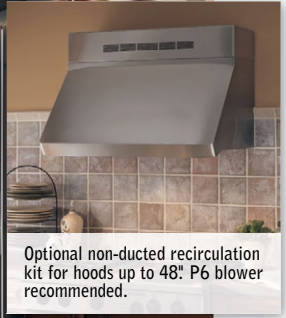
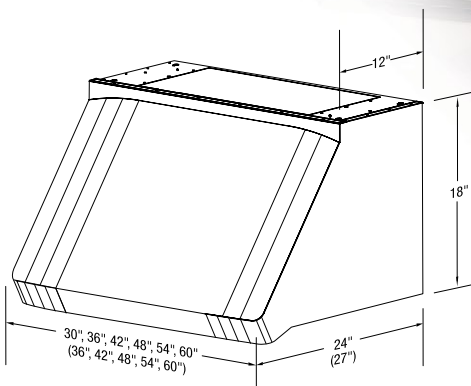
Optional, decorative stainless steel soffit flue

Contemporary styling meets state-of-the-art performance and control.

The latest professional features are now within reach.



- 50-watt halogen lamps
- Infinite motor speed and lighting controls.
- Professional baffle filters with handles for easy removal.
- Deep double-wall sump design for great capture and easy clean-up.
- Silver-ion stainless steel resists fingerprints and spotting to reduce cleaning.



Optional non-ducted recirculation kit for hoods up to 48". P6 blower recommended.

Model	Width	Lamps	Blower	CFM	Finishes	Availability
WP29M	30", 36", 42", 48", 54", 60"	4 6	INT. ♦ EXT. ♦	600, 1200 4 In-line, 4 Exterior	304 Brushed Stainless	March 2007

♦ Blower purchased separately.
* 30" width only available in 24" deep model.

PROFESSIONAL STYLE

WPD29

Designed for covered patio or lanai areas; finished in corrosion-resistant 316 stainless steel

Seamless welded design provides a flawless appearance and lasting quality.

Large 27" deep hood is designed to handle the heat and size of outdoor gas grills.

Powerful yet quiet internal blower, specially designed for outdoor use, and external blowers with HVI certified performance.

Fully enclosed design uses baffle filters with an extra deep bottom cover for unsurpassed smoke and steam capture.

Halogen lamps provide brilliant surface lighting

Marine grade controls resist the effects of extreme heat and moisture

Heat Sentry™ detects excessive heat and adjusts blower speed automatically

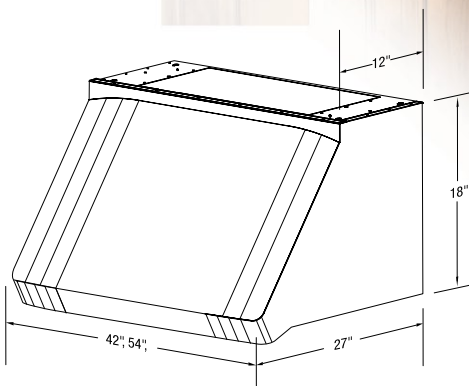
Optional corrosion resistant stainless steel soffit filter and backsplash

Optional hood cover is recommended to protect finish in harsh environments and saltwater coastal areas

What better way to enjoy nature's gifts than to prepare them outdoors? Now you can truly enjoy your open environment with a range hood capable of clearing the air.



- Four 50-watt halogen lamps.
- Infinite motor speed control.
- Professional baffle filters with handles for easy removal.
- Deep double-wall sump design for great capture and easy clean-up.



P12D, 1200 CFM Internal Blower. Specially treated to resist corrosion.

Model	Width	Blower	CFM	Finishes	Availability
WPD29M	42", 54"	P12D ♦ EXT. ♦	1200 1 In-line: 1100 2 Exterior: 1200, 1500	316 Brushed Stainless	April 2007

♦ Blower purchased separately.